



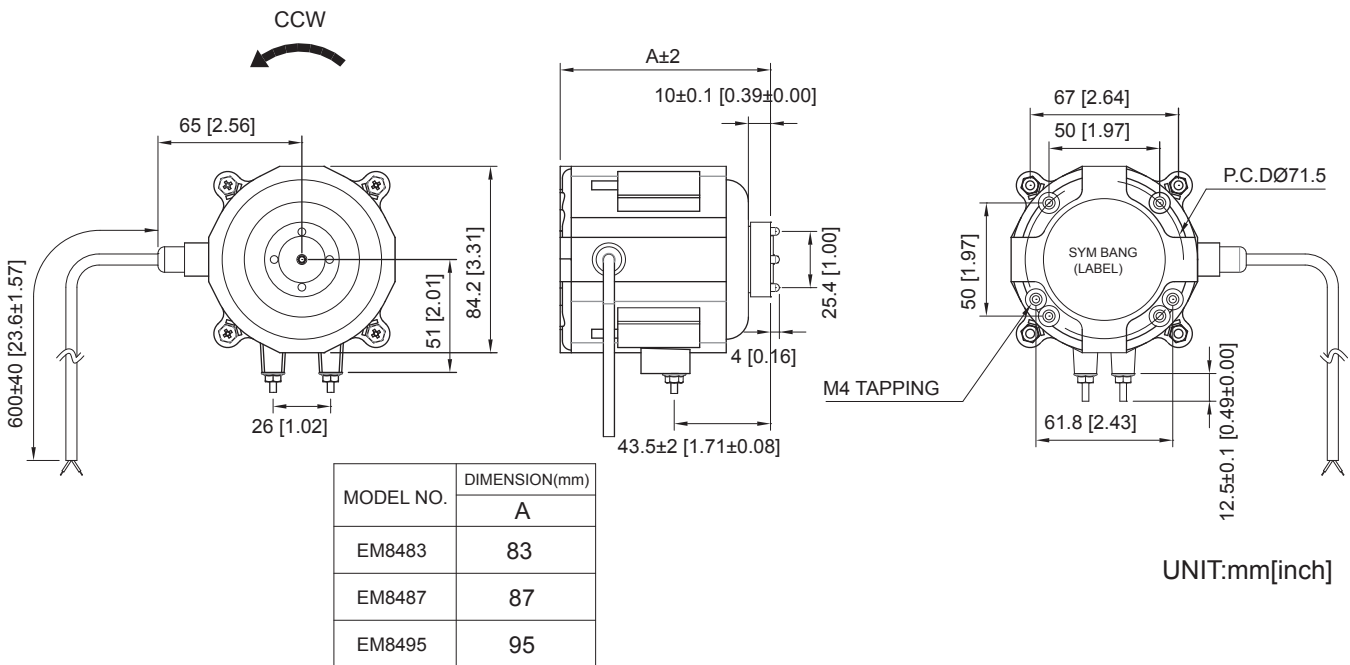
MOTOR TYPE Brushless EC Motor
BEARING Ball
OPERATING TEMPERATURE -10°C to + 60°C
INSULATION Class F
OPERATING VOLTAGE RANGE 88 VAC to 132 VAC for 110V Type
 180 VAC to 256 VAC for 220V Type
DIELECTRIC STRENGTH 5mA Max. at 1500 VAC for 1 second
INSULATION RESISTANCE 10M Ω min. @500 VDC
TERMINATION Lead Wire
ROHS COMPLIANCE Yes
IP LEVEL IP66(Special IP Rating On Request)

* Aluminum Blades are available in dia. 154, 172, 200, 230, 254, 300mm

84 mm

84 mm

DIMENSION



UNIT:mm[inch]

SPECIFICATION

MODEL NO.	RATED VOLTAGE (V)	FREQUENCY (Hz)	RATED CURRENT (A)	INPUT POWER (W)	SPEED (RPM)	NOISE dB(A) @1M
EM8483V1	110	50/60	-	1.2	1300	-
EM8483V2	220	50/60	-	3.2	1300	-
EM8487V1	110	50/60	-	4.7	1300	-
EM8487V2	220	50/60	-	6.7	1300	-
EM8495V1	110	50/60	-	13.6	1300	-
EM8495V2	220	50/60	-	15.6	1300	-