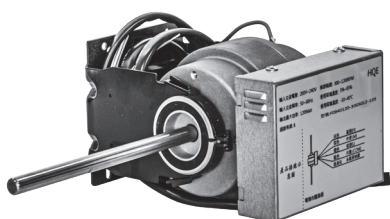


# EM 300105 300x105mm(11.81"x4.13")

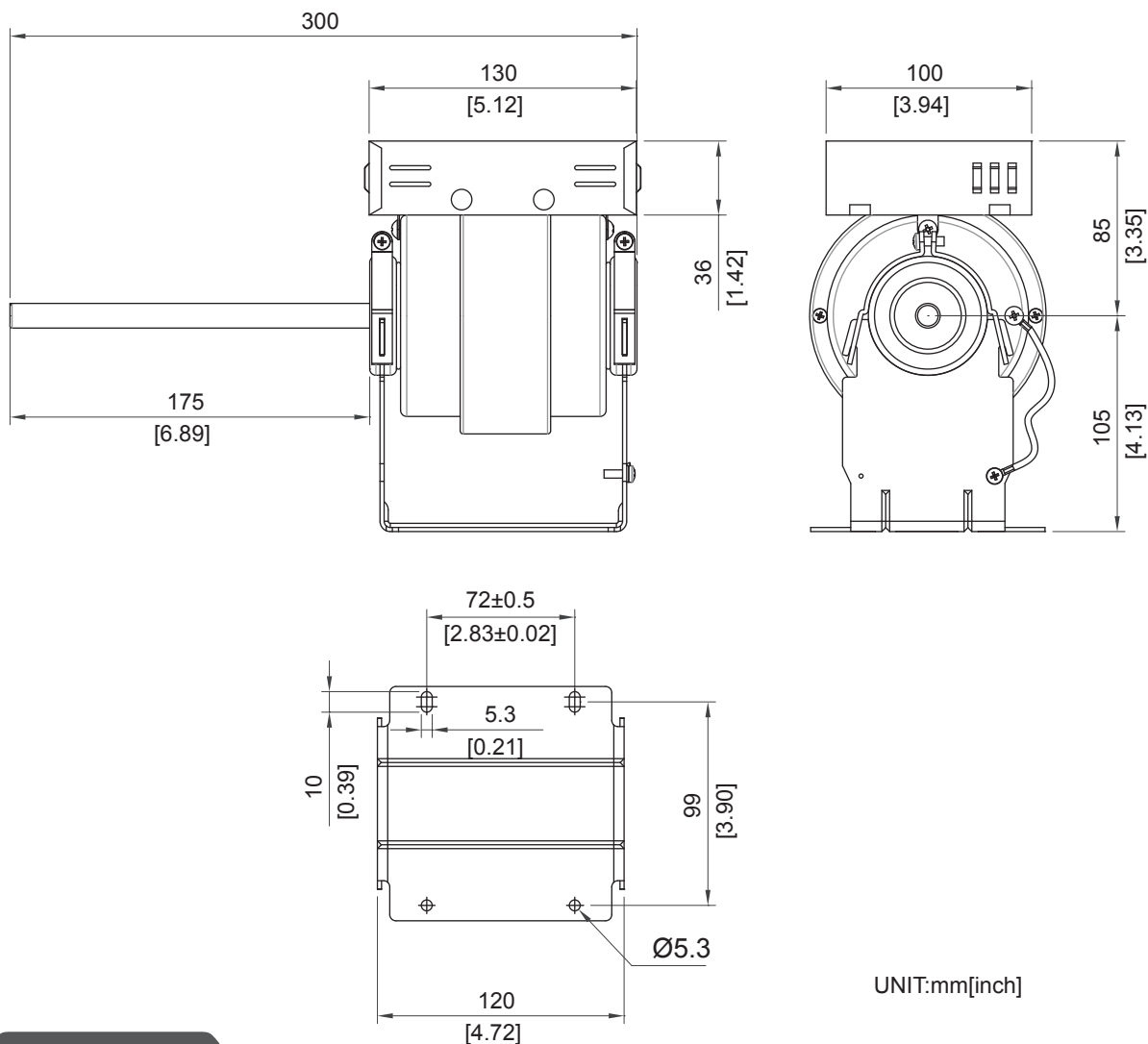


**OPERATING TEMPERATURE** -15°C to + 40°C  
**OPERATING HUMIDITY** 5% to 85%  
**TORQUE RANGE** 10-14 Kg-cm  
**INSULATION CLASS** Level B  
**EFFICIENCY** 75%  
**UNGROUND VOLTAGE** <25 VAC  
**LEAKAGE GROUNDED CURRENT** <5 mA  
**LEAKAGE** Single shaft  
**SHAFT**

# 300 mm

300 mm

## DIMENSION



## SPECIFICATION

MODEL NO.	RATED VOLTAGE (V)	FREQUENCY (Hz)	RATED CURRENT (A)	OUTPUT POWER (W)	SPEED (RPM)	cosφ
EM300105W120	100-240	47~63	<1.2	120	300~1400	>0.9
EM300105W180	100-240	47~63	<1.2	180	300~1400	>0.9