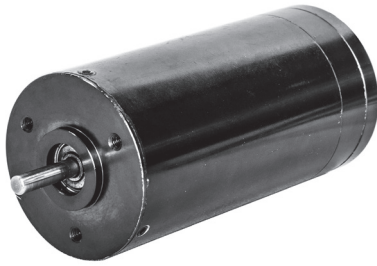


# DM

# 4080

Ø30x26mm(Ø1.17"x1.01")

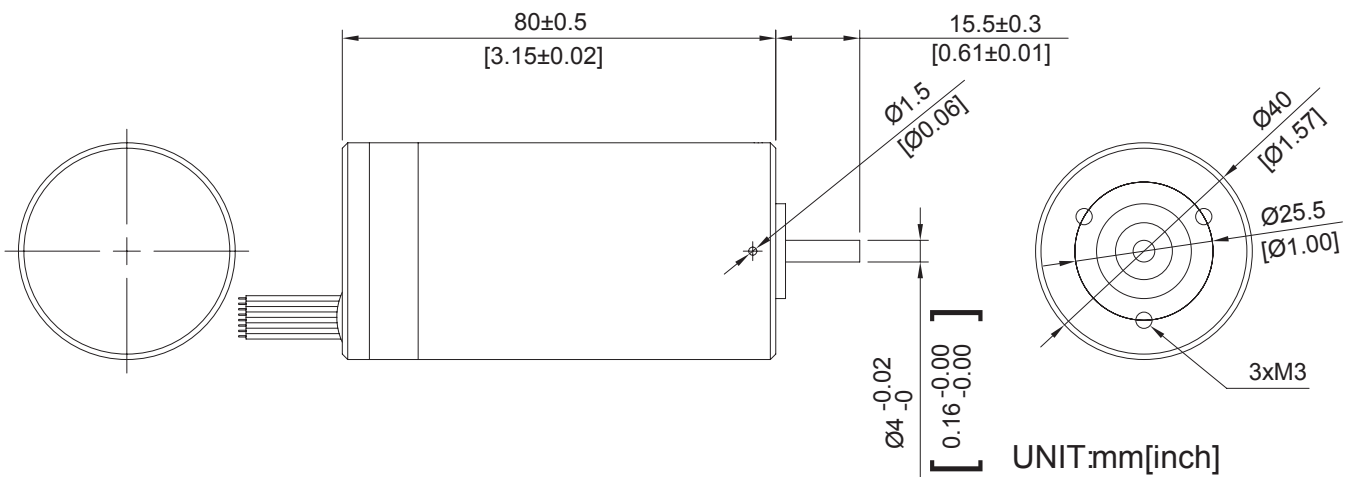


MOTOR TYPE Brushless Motor  
BEARING Ball  
OPERATING TEMPERATURE -20°C to + 70°C  
DIELECTRIC STRENGTH 5mA Max. at 500 VAC for 1 second  
INSULATION RESISTANCE 10M Ω min. @500 VDC  
TERMINATION Lead Wire or Terminal  
WEIGHT 435 g

# 40 mm

40 mm

## DIMENSION



## SPECIFICATION

MODEL NO.	RATED VOLTAGE (V)	RATED CURRENT (A)	OUTPUT POWER (W)	SPEED (RPM)	NOISE dB(A) @1M
DM4080V24HB	24	0.45	164.05	8520	-