



HOUSING
IMPELLER
BEARING
INSULATION
OPERATING TEMPERATURE
OPERATING VOLTAGE RANGE

Metal/Aluminum
Aluminum, Ø43mm
Ball or Sleeve
Class A
0°C to + 45°C
85 VAC to 125 VAC for 115V Type
185 VAC to 245 VAC for 230V Type
1,500 VAC for 1 second
10M Ω min. @500 VDC
Impedance Protected
Shaded Pole Motor
Yes
IP21 (Special IP Rating On Request)

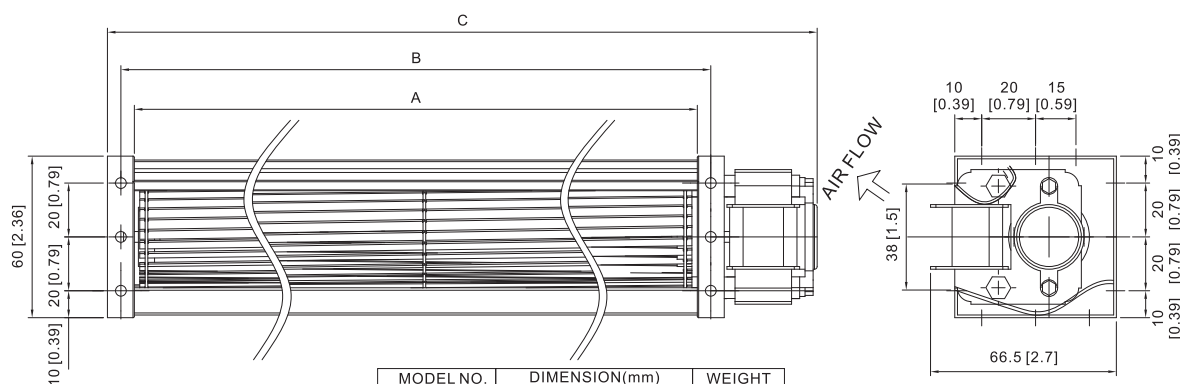
DIELECTRIC STRENGTH
INSULATION RESISTANCE
SAFETY
MOTOR TYPE
ROHS COMPLIANCE
IP LEVEL

* FAN IS FOR HORIZONTAL USE ONLY *

43mm

43 mm

DIMENSION



MODEL NO.	DIMENSION(mm)			WEIGHT (g)
	A	B	C	
AFS43098	98	108	160	520
AFS43160	160	170	222	550
AFS43198	198	208	264	650
AFS43250	250	260	315	680
AFS43300	300	310	375	890
AFS43360	360	370	435	920

UNIT:mm[inch]

SPECIFICATION

MODEL NO.	RATED VOLTAGE (V)	FREQUENCY (Hz)	RATED CURRENT (A)	INPUT POWER (W)	SPEED (RPM)	MAX. AIR PRESSURE		MAX. AIR FLOW		NOISE dB(A) @1M
						inchH ₂ O	mmH ₂ O	CFM	m ³ /min	
AFS43098V1H	120	50/60	0.14/0.12	10/9	2600/3000	0.04/0.06	1.1/1.6	25/28	0.7/0.8	33/35
AFS43098V2H	230	50/60	0.08/0.07	10/9	2600/3000	0.04/0.06	1.1/1.6	25/28	0.7/0.8	33/35
AFS43160V1H	120	50/60	0.15/0.13	11/10	2500/2500	0.04/0.05	0.9/1.2	42/42	1.2/1.2	35/35
AFS43160V2H	230	50/60	0.08/0.07	11/10	2500/2500	0.04/0.05	0.9/1.2	42/42	1.2/1.2	35/35
AFS43198V1H	120	50/60	0.22/0.19	15/14	2400/2500	0.04/0.05	0.9/1.2	53/56	1.5/1.6	32/35
AFS43198V2H	230	50/60	0.09/0.08	13/12	2400/2500	0.04/0.05	0.9/1.2	53/56	1.5/1.6	32/35
AFS43250V1H	120	50/60	0.22/0.20	16/15	2400/2300	0.04/0.04	0.9/1.0	67/70	1.9/1.8	34/33
AFS43250V2H	230	50/60	0.09/0.08	13/12	2300/2000	0.04/0.04	0.9/1.0	63/56	1.8/1.6	33/30
AFS43300V1H	120	50/60	0.32/0.29	22/21	2600/2900	0.05/0.06	1.2/1.4	88/95	2.5/2.7	38/40
AFS43300V2H	230	50/60	0.14/0.13	19/18	2500/2500	0.05/0.06	1.2/1.4	88/88	2.5/2.5	37/37
AFS43360V1H	120	50/60	0.34/0.32	23/23	2500/2500	0.05/0.05	1.2/1.3	117/117	3.3/3.3	38/38
AFS43360V2H	230	50/60	0.15/0.14	20/19	2400/2100	0.05/0.05	1.2/1.3	113/88	3.2/2.5	36/33

AIR PERFORMANCE

