

# DTF 100303D



Ø100mm x 303mm(Ø3.9"x11.8")

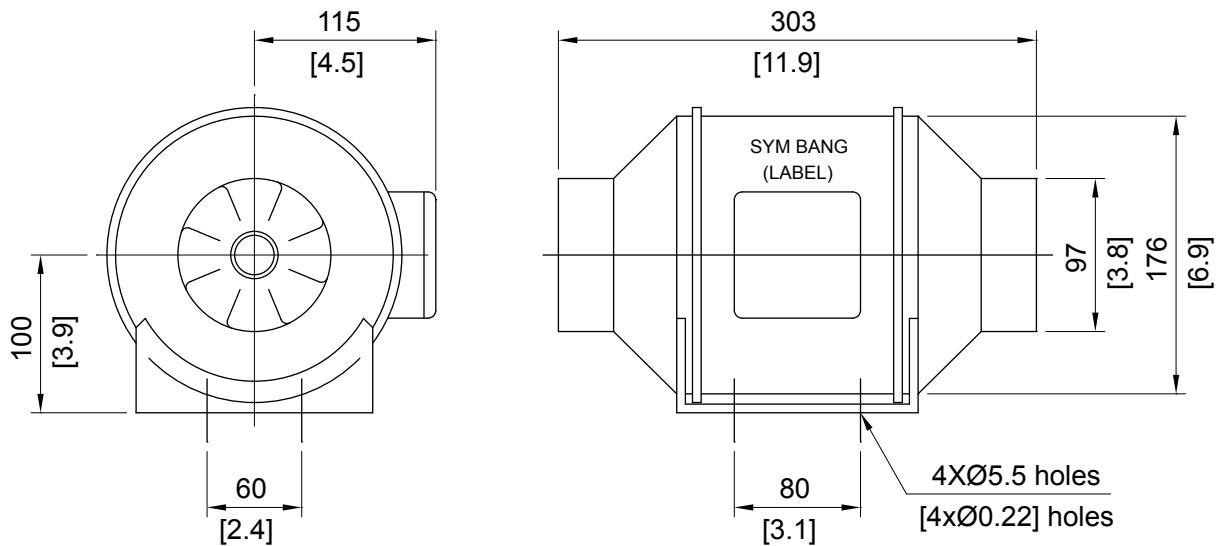


**HOUSING** Engineering PP Plastic  
**IMPELLER** Axial Flow Type, ABS Plastic  
**BEARING** Ball  
**MOTOR TYPE** Single Phase Ball Bearing Motor  
**TERMINATION** Lead Wires  
**OPERATING VOLTAGE RANGE** 100VAC to 125VAC for 115V Type  
 200VAC to 245VAC for 230V Type  
 1,500VAC for 1 second  
**DIELECTRIC STRENGTH** Class B  
**INSULATION** 10M Ohms Min. @500 VDC  
**INSULATION RESISTANCE** -20°C to + 60°C  
**OPERATING TEMPERATURE** Thermally Protected  
**SAFETY**  
**WEIGHT** 2,000g  
**ROHS COMPLIANCE** YES

# 100mm

100mm

## DIMENSION

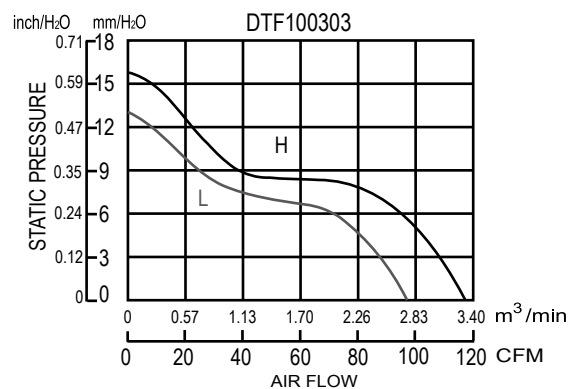


## SPECIFICATION

UNIT:mm[inch]

MODEL NO.	RATED VOLTAGE (V)	FREQUENCY (Hz)	RATED CURRENT (A)	INPUT POWER (W)	SPEED (RPM)	MAX. AIR PRESSURE		MAX. AIR FLOW		NOISE dB(A) @1M
						inchH <sub>2</sub> O	mmH <sub>2</sub> O	CFM	m <sup>3</sup> /min	
DTF100303V1D	115	60	0.26	30	2200	0.62	15.9	116.0	3.3	31
	115	60	0.24	28	1850	0.52	13.3	97.1	2.7	26
DTF100303V2D	230	50	0.12	26	2200	0.62	15.9	116.0	3.3	31
	230	50	0.11	23	1850	0.52	13.3	97.1	2.7	26

## AIR PERFORMANCE



# DTF 125276D



Ø125mm x 276mm (Ø 4.86" x 10.76")

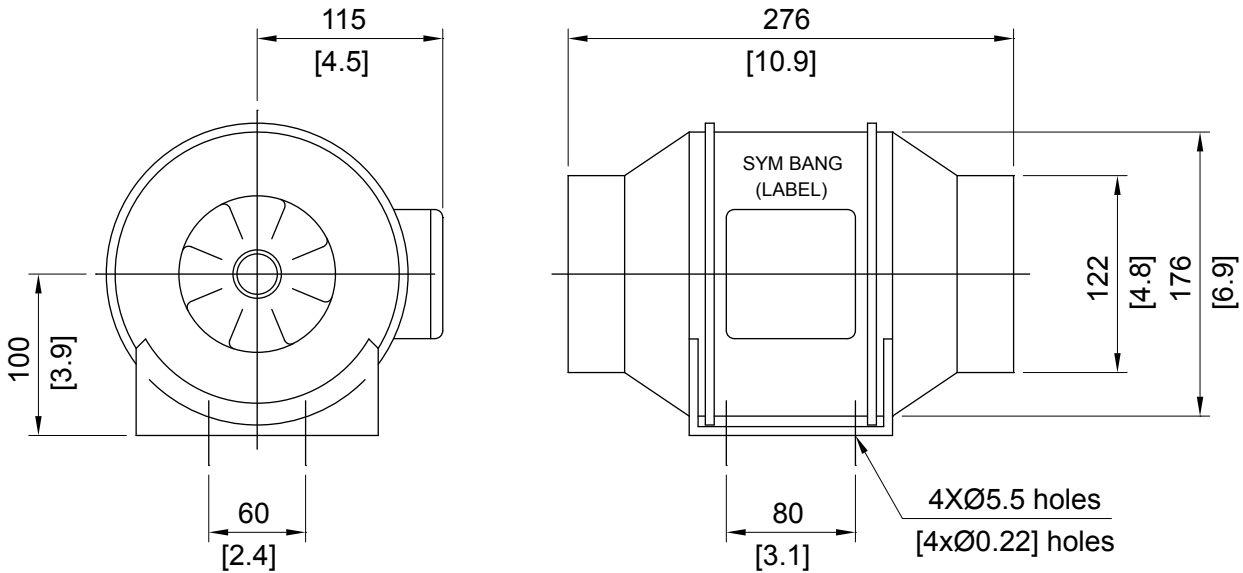


**HOUSING** Engineering PP Plastic  
**IMPELLER** Axial Flow Type, ABS Plastic  
**BEARING** Ball  
**MOTOR TYPE** Single Phase Ball Bearing Motor  
**TERMINATION** Lead Wires  
**OPERATING VOLTAGE RANGE** 100VAC to 125VAC for 115V Type  
 200VAC to 245VAC for 230V Type  
 1,500VAC for 1 second  
**DIELECTRIC STRENGTH** Class B  
**INSULATION** 10M Ohms Min. @500VDC  
**INSULATION RESISTANCE** -20°C to + 60°C  
**OPERATING TEMPERATURE** Thermally Protected  
**SAFETY** 1,800g  
**WEIGHT**  
**ROHS COMPLIANCE** YES

# 125mm

125 mm

## DIMENSION

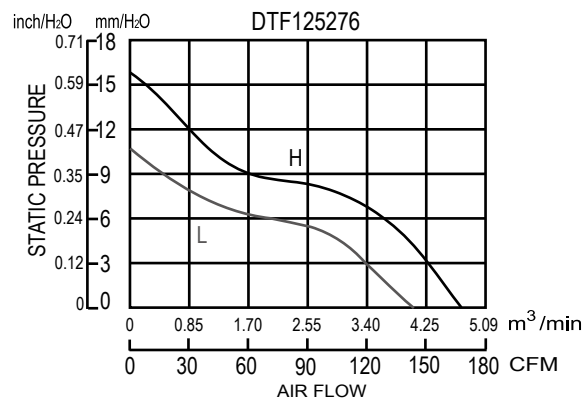


## SPECIFICATION

UNIT:mm[inch]

MODEL NO.	RATED VOLTAGE (V)	FREQUENCY (Hz)	RATED CURRENT (A)	INPUT POWER (W)	SPEED (RPM)	MAX. AIR PRESSURE		MAX. AIR FLOW		NOISE dB(A) @1M
						inchH <sub>2</sub> O	mmH <sub>2</sub> O	CFM	m <sup>3</sup> /min	
DTF125276V1D	115	60	0.30	32	2250	0.64	16.22	167.3	4.7	31
	115	60	0.26	27	1850	0.43	10.82	146.1	4.1	26
DTF125276V2D	230	50	0.15	33	2250	0.64	16.22	167.3	4.7	31
	230	50	0.17	28	1850	0.43	10.82	146.1	4.1	26

## AIR PERFORMANCE



# DTF 150165

Ø150x172x165mm(Ø5.9"x5.77"x6.4")



HOUSING  
IMPELLER  
BEARING  
MOTOR TYPE  
TERMINATION  
OPERATING VOLTAGE RANGE

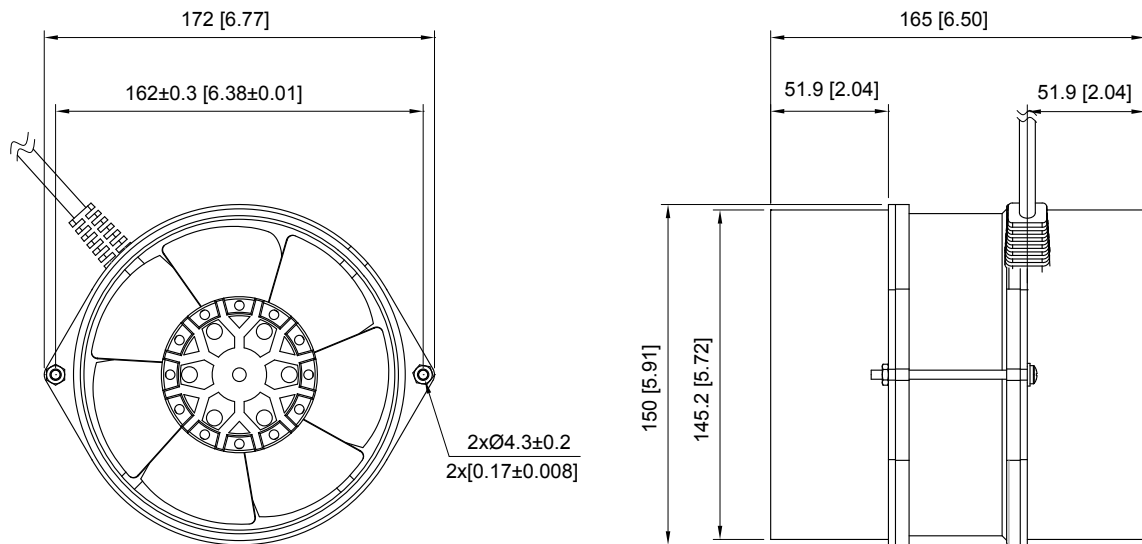
DIELECTRIC STRENGTH  
INSULATION  
INSULATION RESISTANCE  
OPERATING TEMPERATURE  
SAFETY  
WEIGHT  
ROHS COMPLIANCE

Plastic dust, Aluminum Die Casting of the fan  
Metal  
Ball  
Outer Rotor, Shaded Pole Motor  
Terminal or Lead Wires  
85VAC to 125VAC for 115V Type  
185VAC to 245VAC for 230V Type  
1,500VAC for 1 second  
Class F  
10M Ohms Min. @500 VDC  
-10°C to + 70°C  
Thermally Protected  
1,320g  
YES

# 150mm

150mm

## DIMENSION

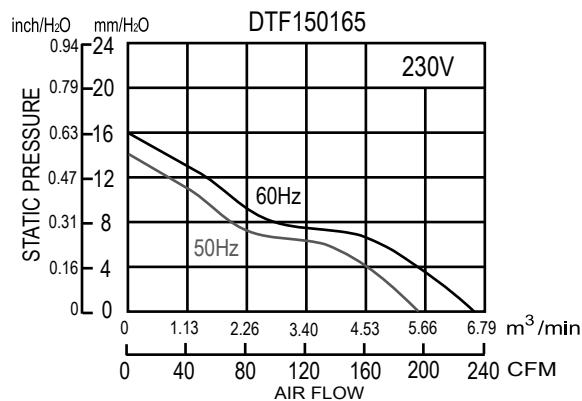


UNIT:mm[inch]

## SPECIFICATION

MODEL NO.	RATED VOLTAGE (V)	FREQUENCY (Hz)	RATED CURRENT (A)	INPUT POWER (W)	SPEED (RPM)	MAX. AIR PRESSURE inchH <sub>2</sub> O    mmH <sub>2</sub> O	MAX. AIR FLOW CFM            m <sup>3</sup> /min	NOISE dB(A) @1M
DTF150165V2MS	230	50/60	0.25/0.23	42/42	2800/3250	0.55/0.63    14/16	195/230    5.5/6.5	49/53

## AIR PERFORMANCE



# DTF

# 150165

Ø150x172x165mm(Ø5.9"x5.77"x6.4")



with foot mount



HOUSING  
IMPELLER  
BEARING  
MOTOR TYPE  
TERMINATION  
OPERATING VOLTAGE RANGE

DIELECTRIC STRENGTH  
INSULATION  
INSULATION RESISTANCE  
OPERATING TEMPERATURE  
SAFETY  
WEIGHT  
ROHS COMPLIANCE  
IP LEVEL

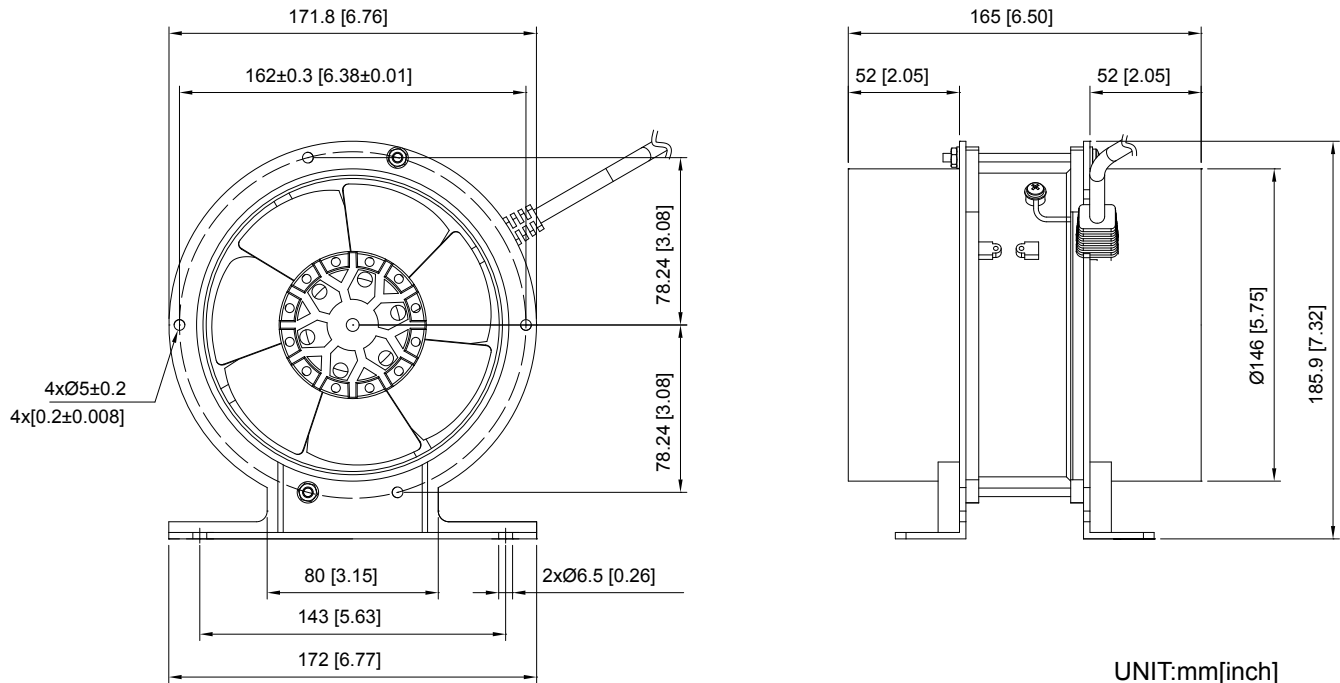
Plastic dust, Aluminum Die Casting of the fan  
Metal  
Ball  
Outer Rotor, Shaded Pole Motor  
Terminal or Lead Wire  
85 VAC ~ 125 VAC for 115V Type  
185 VAC ~ 245 VAC for 230V Type  
1500 VAC for 1 second  
Class F  
10M Ω min. @500 VDC  
-10°C to +70°  
Thermally Protected  
1,465 g  
Yes  
IP21 (Special IP Rating On Request)

# 150

 mm

150 mm

## DIMENSION

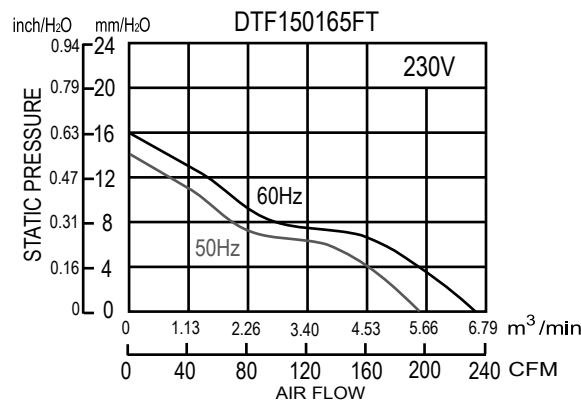


UNIT:mm[inch]

## SPECIFICATION

MODEL NO.	RATED VOLTAGE (V)	FREQUENCY (Hz)	RATED CURRENT (A)	INPUT POWER (W)	SPEED (RPM)	MAX. AIR PRESSURE		MAX. AIR FLOW		NOISE dB(A) @1M
						inchH <sub>2</sub> O	mmH <sub>2</sub> O	CFM	m <sup>3</sup> /min	
DTF150165V2MSFT	230	50/60	0.25/0.23	42/42	2800/3250	0.55/0.63	14/16	195/230	5.5/6.5	49/53

## AIR PERFORMANCE



# DTF

# 150295D

Ø150mm x 295mm(Ø5.85" x 11.5")

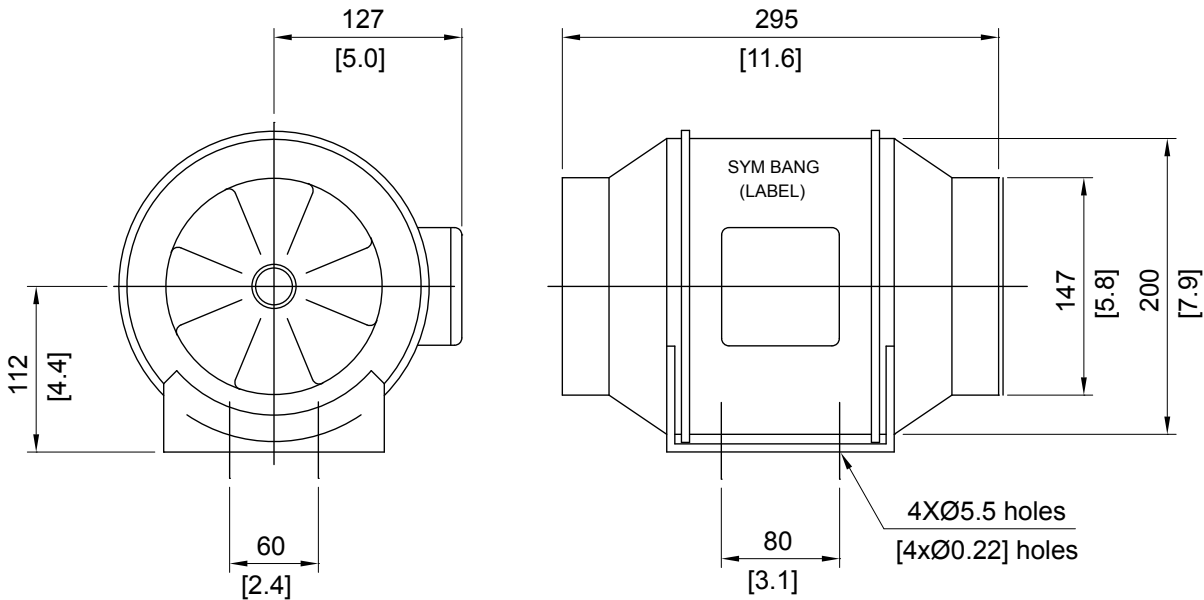


HOUSING Engineering PP Plastic  
 IMPELLER Axial Flow Type, ABS Plastic  
 BEARING Ball  
 MOTOR TYPE Single Phase Ball Bearing Motor  
 TERMINATION Lead Wires  
 OPERATING VOLTAGE RANGE 100VAC to 125VAC for 115V Type  
 200VAC to 245VAC for 230V Type  
 1,500VAC for 1 second  
 DIELECTRIC STRENGTH Class B  
 INSULATION Class B  
 INSULATION RESISTANCE 10M Ohms Min. @500VDC  
 OPERATING TEMPERATURE -20°C to + 60°C  
 SAFETY Thermally Protected  
 WEIGHT 2,700g  
 ROHS COMPLIANCE YES

# 150mm

150mm

## DIMENSION

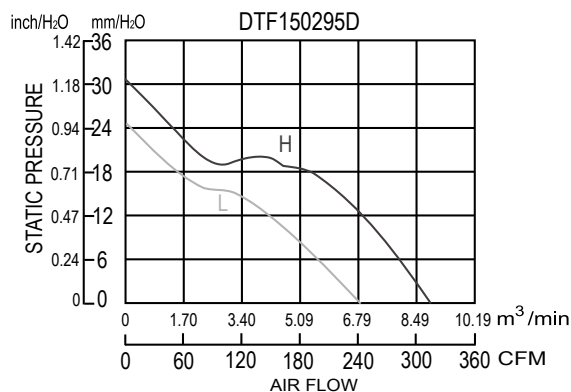


## SPECIFICATION

UNIT:mm[inch]

MODEL NO.	RATED VOLTAGE (V)	FREQUENCY (Hz)	RATED CURRENT (A)	INPUT POWER (W)	SPEED (RPM)	MAX. AIR PRESSURE		MAX. AIR FLOW		NOISE db(A) @1M
						inchH <sub>2</sub> O	mmH <sub>2</sub> O	CFM	m <sup>3</sup> /min	
DTF150295V1D	115	60	0.58	65	2550	1.21	30.61	312.1	8.8	33
	115	60	0.49	53	1850	0.96	24.49	241.5	6.8	29
DTF150295V2D	230	50	0.24	54	2550	1.21	30.61	312.1	8.8	33
	230	50	0.21	48	1850	0.96	24.49	241.5	6.8	29

## AIR PERFORMANCE



# DTF 174157



Ø174x157x180mm(Ø6.85"x6.18"x7.09")



HOUSING  
IMPELLER  
BEARING  
MOTOR TYPE  
TERMINATION  
OPERATING VOLTAGE RANGE

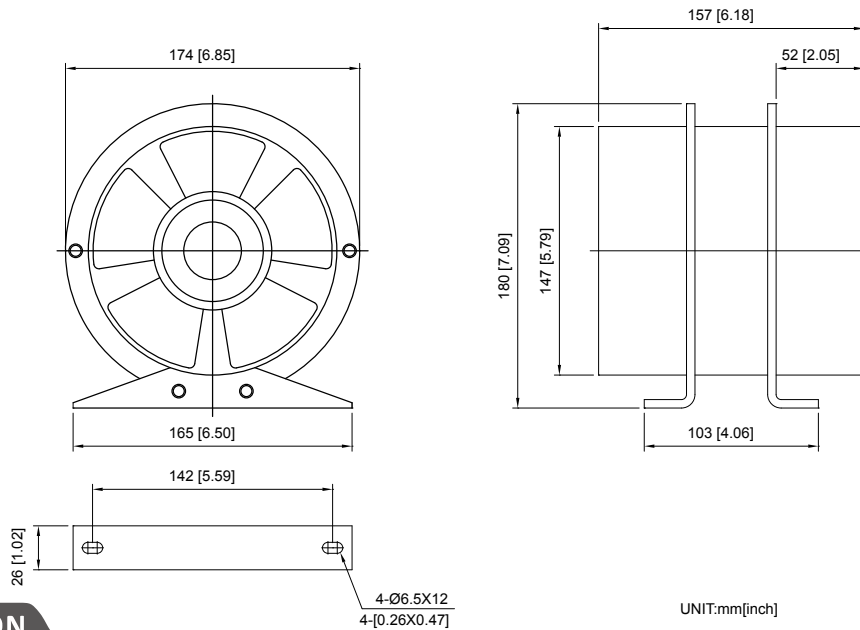
Aluminum Die Casting, Painted Black  
Plastic with Fiber Glass, UL94V-0  
Ball  
Shaded Pole Motor  
Terminal or Lead Wires  
85VAC to 125VAC for 115V Type  
185VAC to 245VAC for 230V Type  
1,500VAC for 1 second  
Class A  
10M Ohms Min. @500 VDC  
-10°C to + 70°C  
Impedance Protected  
1600g

DIELECTRIC STRENGTH  
INSULATION  
INSULATION RESISTANCE  
OPERATING TEMPERATURE  
SAFETY  
WEIGHT

# 174mm

174 mm

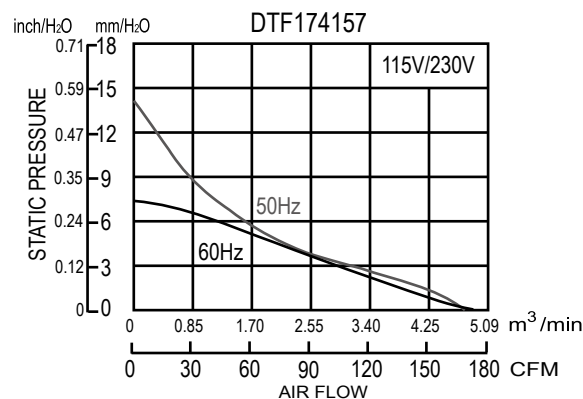
## DIMENSION



## SPECIFICATION

MODEL NO.	RATED VOLTAGE (V)	FREQUENCY (Hz)	RATED CURRENT (A)	INPUT POWER (W)	SPEED (RPM)	MAX. AIR PRESSURE		MAX. AIR FLOW		NOISE dB(A) @1M
						inchH <sub>2</sub> O	mmH <sub>2</sub> O	CFM	m <sup>3</sup> /min	
DTF174157V1HB	115	50/60	0.6/0.5	40/35	2700/3030	0.55/0.30	14.0/7.6	168/172	4.75/4.87	55/57
DTF174157V2HB	230	50/60	0.3/0.2	38/34	2700/3030	0.55/0.30	14.0/7.6	168/172	4.75/4.87	55/57

## AIR PERFORMANCE



# DTF

# 200302D



Ø200x302mm(Ø7.87"x11.89")



HOUSING  
 IMPELLER  
 BEARING  
 MOTOR TYPE  
 TERMINATION  
 OPERATING VOLTAGE RAGE

Engineering PP Plastic  
 Axial Flow Type, ABS Plastic  
 Ball  
 Single Phase Ball Bearing Motor  
 Lead Wire  
 100VAC to 125VAC for 115V Type  
 220VAC to 240 VAC for 230V Type

DIELECTRIC STRENGTH  
 INSULATION  
 INSULATION RESISTANCE  
 OPERATING TEMPERATURE  
 SAFETY  
 WEIGHT  
 ROHS COMPLIANCE  
 IP LEVEL

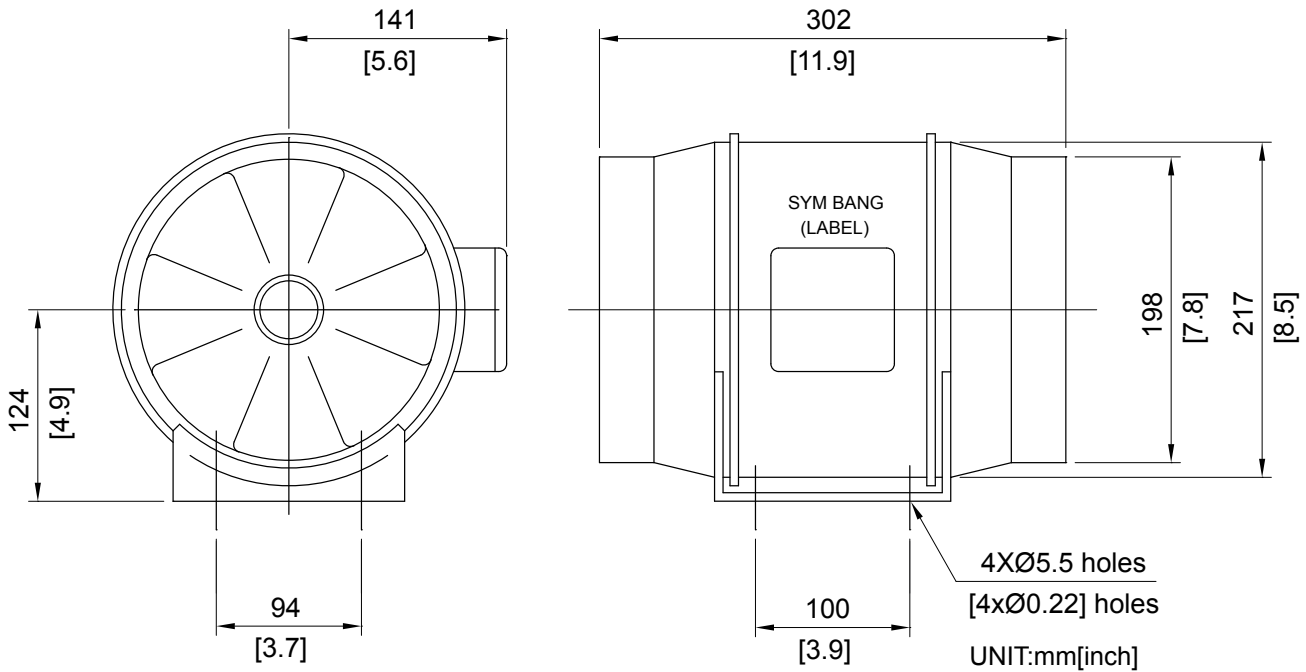
1,500 VAC for 1 second  
 Class B  
 10M Ohms Min. @ 500VDC  
 -20°C to +70°C  
 Thermally Protected  
 4.9 kg  
 YES  
 IP21 (Special IP Rating On Request)

# 200

mm

200mm

## DIMENSION



## SPECIFICATION

MODEL NO.	RATED VOLTAGE (V)	FREQUENCY (Hz)	RATED CURRENT (A)	INPUT POWER (W)	SPEED (RPM)	MAX. AIR PRESSURE		MAX. AIR FLOW		NOISE dB(A) @1M
						inchH <sub>2</sub> O	mmH <sub>2</sub> O	CFM	m <sup>3</sup> /min	
DTF200302V1D	115	60	1.47	162	2450	1.41	35.92	494.7	14.0	63
	115	60	1.27	146	1950	1.10	27.96	406.4	11.5	55
DTF200302V2D	230	50	0.57	128	2450	1.41	35.92	494.7	14.0	63
	230	50	0.52	123	1950	1.10	27.96	406.4	11.5	55

## AIR PERFORMANCE

