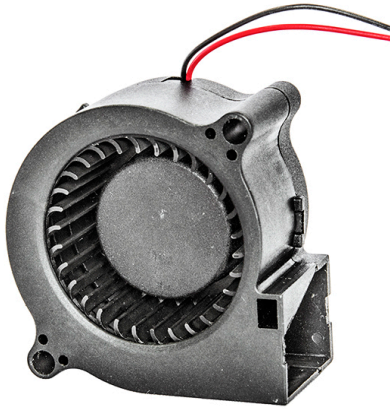


DB

5025-YH



51x51x25mm(2.00"x2.00"x0.98")



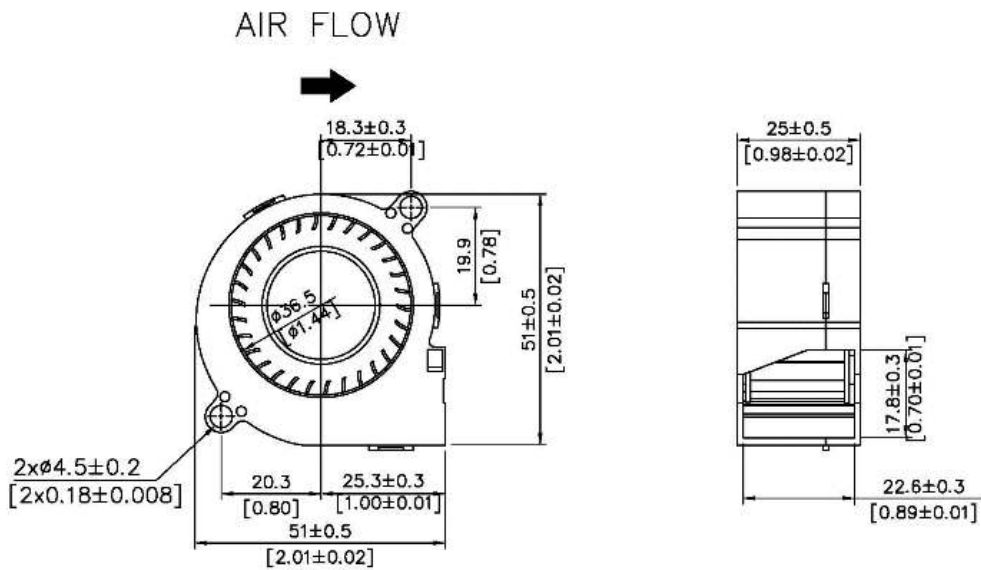
HOUSING	Thermoplastic PBT, UL94V-0
IMPELLER	Thermoplastic PBT, UL94V-0
BEARING	Ball or Sleeve
OPERATING TEMPERATURE	-10°C to + 70°C
DIELECTRIC STRENGTH	5mA Max. at 500 VAC for 1 minute
INSULATION RESISTANCE	10M Ω min. @500 VDC
WEIGHT	26.3 g
ROHS COMPLIANCE	Yes
IP LEVEL	IP21 (Special IP Rating On Request)

51 mm

SPECIFICATION

MODEL NO.	RATED VOLTAGE(V)	RATED CURRENT(A)	INPUT POWER(W)	SPEED (RPM)	MAX. AIR PRESSURE		MAX. AIR FLOW		NOISE dB(A) @1M
					inchH2O	mmH2O	CFM	m3/min	
DB5025V24S-YH	24	0.12	2.88	5000	0.65	16.56	6.88	0.19	37.1
DB5025V12S-YH	12	0.25	3.00	5000	0.65	16.56	6.88	0.19	37.1
DB5025V24H-YH	24	0.10	2.40	4000	0.39	10.03	6.18	0.18	30.9
DB5025V12H-YH	12	0.20	2.40	4000	0.39	10.03	6.18	0.18	30.9
DB5025V5H-YH	5	0.35	1.75	4000	0.39	10.03	6.18	0.18	30.9
DB5025V24M-YH	24	0.08	1.92	3500	0.26	6.64	5.75	0.16	28.0
DB5025V12M-YH	12	0.14	1.68	3500	0.26	6.64	5.75	0.16	28.0
DB5025V5M-YH	5	0.35	1.75	3500	0.26	6.64	5.75	0.16	28.0
DB5025V12L-YH	12	0.11	1.32	3000	0.20	4.96	5.38	0.15	25.5
DB5025V5L-YH	5	0.20	1.00	3000	0.20	4.96	5.38	0.15	25.5

DIMENSION



UNIT: mm [inch]

AIR PERFORMANCE

