

# A

# 15055M-5PT

# CE

150x172x55mm(5.9"x6.77"x2.17")



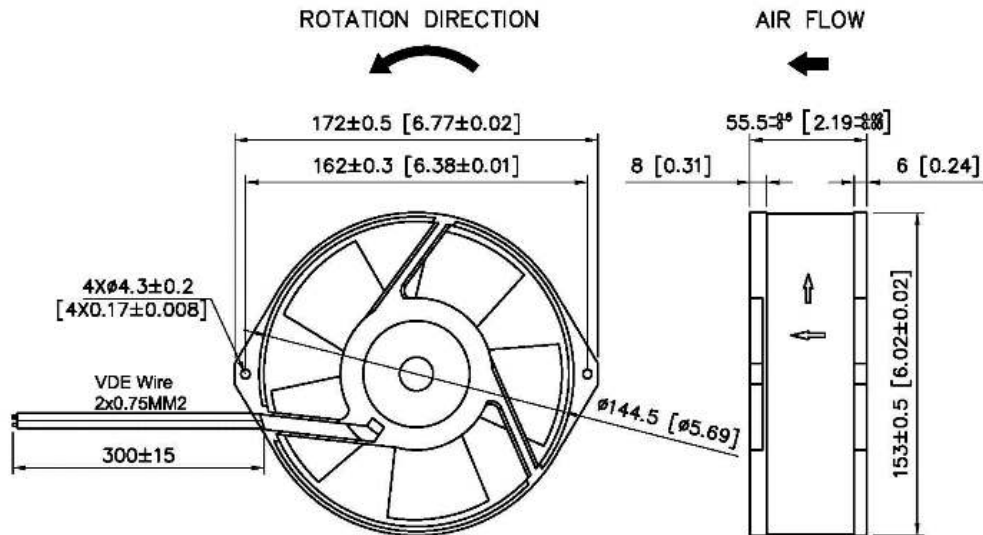
HOUSING	Aluminum Die Casting, Painted Black
IMPELLER	Metal
BEARING	Ball
OPERATING TEMPERATURE	0°C to + 70°C
INSULATION	Class A
OPERATING VOLTAGE RANGE	85 VAC to 125 VAC for 115V Type 185 VAC to 245 VAC for 230V Type
DIELECTRIC STRENGTH	5mA Max. at 1500 VAC for 1 second
INSULATION RESISTANCE	10M Ω min. @500 VDC
MOTOR TYPE	Outer Rotor, AC Induction Capacitor Motor
SAFETY	Thermally Protected
TERMINATION	Terminals or Lead Wire
WEIGHT	984 g
ROHS COMPLIANCE	Yes
IP LEVEL	IP54 (Special IP Rating On Request)

# 150mm

## SPECIFICATION

MODEL NO.	RATED VOLTAGE(V)	RATED CURRENT(A)	INPUT POWER(W)	SPEED (RPM)	MAX. AIR PRESSURE		MAX. AIR FLOW		NOISE dB(A) @1M
					inchH2O	mmH2O	CFM	m3/min	
A15055V1HBLM-5PT	115	0.25/0.23	26/25	2750/3200	0.55/0.60	13.97/15.24	220/250	6.23/7.08	55/59
A15055V2HBLM-5PT	230	0.14/0.13	30/28	2700/3100	0.60/0.78	15.24/19.81	230/265	6.51/7.5	52/55

## DIMENSION



UNIT: mm[inch]

## AIR PERFORMANCE

