

AB

212291

212x215x291mm(8.35"x8.46"x11.46")



HOUSING	Steel
IMPELLER	Aluminum
BEARING	Ball
TERMINATION	Lead Wire
OPERATING TEMPERATURE	0°C to + 45°C
DIELECTRIC STRENGTH	5mA Max. at 1500 VAC for 1 second
INSULATION RESISTANCE	10M Ω min. @500 VDC
MOTOR TYPE	Shaded Pole Motor
ADD TONAL FUNCTION	FG
WEIGHT	6.1 Kg
ROHS COMPLIANCE	Yes
IP LEVEL	IP21 (Special IP Rating On Request)

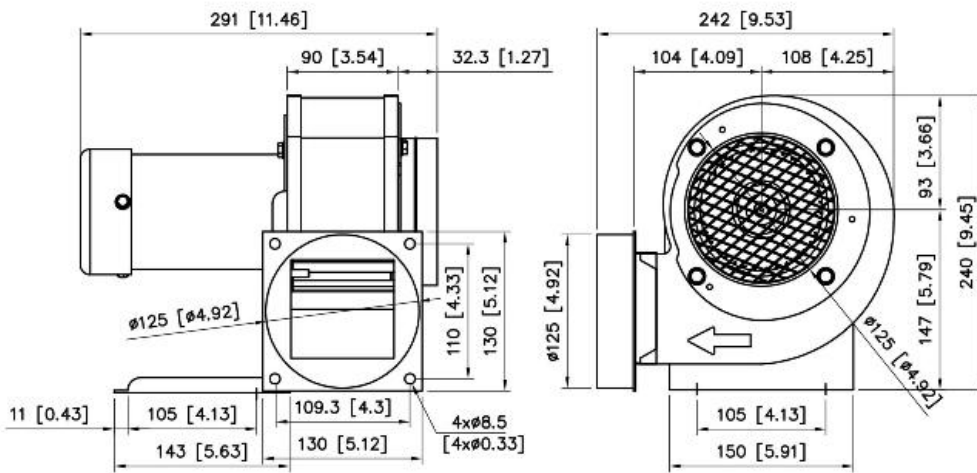
212

 mm

SPECIFICATION

MODEL NO.	RATED VOLTAGE(V)	RATED CURRENT(A)	INPUT POWER(W)	SPEED (RPM)	MAX. AIR PRESSURE		MAX. AIR FLOW		NOISE dB(A) @1M
					inchH2O	mmH2O	CFM	m3/min	
AB212291V3H2PT	380	0.45/0.55	200	2800/3480	1.81/2.62	46/66.6	335/409	9.5/11.6	77/81
AB212291V2H2PT	220	0.8/1.0	200	2800/3480	1.81/2.62	46/66.6	335/409	9.5/11.6	77/81
AB212291V2HB	220	1.2/1.5	200	2800/3480	1.81/2.62	46/66.6	335/409	9.5/11.6	77/81
AB212291V1HB	110	2.4/3.0	200	2800/3480	1.81/2.62	46/66.6	335/409	9.5/11.6	77/81

DIMENSION



UNIT:mm[inch]

AIR PERFORMANCE

