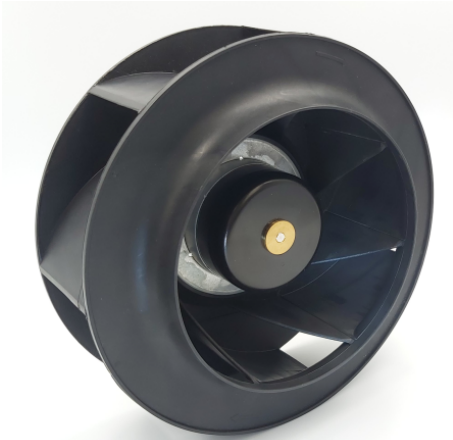


# ECF

# 225125-Y

Ø225x125mm(Ø8.86"x4.92")



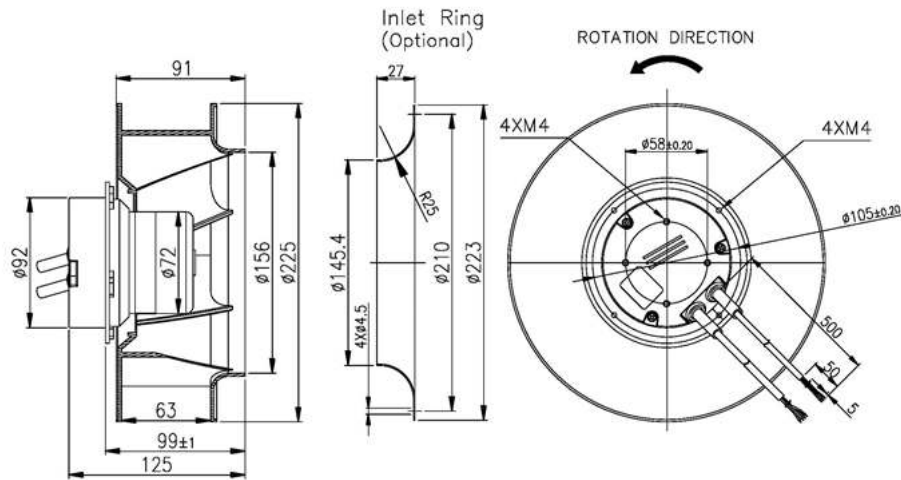
HOUSING	Die-casting Aluminum
IMPELLER	Class fiber-reinforced polypropylene
BEARING	Ball
INSULATION	Class B
OPERATING TEMPERATURE	-25°C to + 60°C
INSULATION RESISTANCE	10M Ω min. @500 VDC
DIELECTRIC STRENGTH	5mA Max. at 500 VAC for 1 minute
WEIGHT	1450g
ROHS COMPLIANCE	Yes
IP LEVEL	IP65(Special IP Rating On Request)

# 225 mm

## SPECIFICATION

MODEL NO.	RATED VOLTAGE(V)	RATED CURRENT(A)	INPUT POWER(W)	SPEED (RPM)	MAX. AIR PRESSURE		MAX. AIR FLOW		NOISE dB(A) @1M
					inchH2O	mmH2O	CFM	m3/min	
ECF225125V2HB-Y	230	0.67	70.0	2500	2.18	55.3	566.0	16.2	66.1

## DIMENSION



## AIR PERFORMANCE

