

DSB

5430-TK

54x50x30mm(2.13"x1.97"x1.18")



HOUSING	Thermoplastic PBT, UL94V-0
IMPELLER	Thermoplastic PBT, UL94V-0
BEARING	Ball
OPERATING TEMPERATURE	-10°C to + 60°C
DIELECTRIC STRENGTH	5mA Max. at 500 VAC for 1 minute
INSULATION RESISTANCE	10M Ω min. @500 VDC
WEIGHT	100 g
ROHS COMPLIANCE	Yes
IP LEVEL	IP21(Special IP Rating On Request)

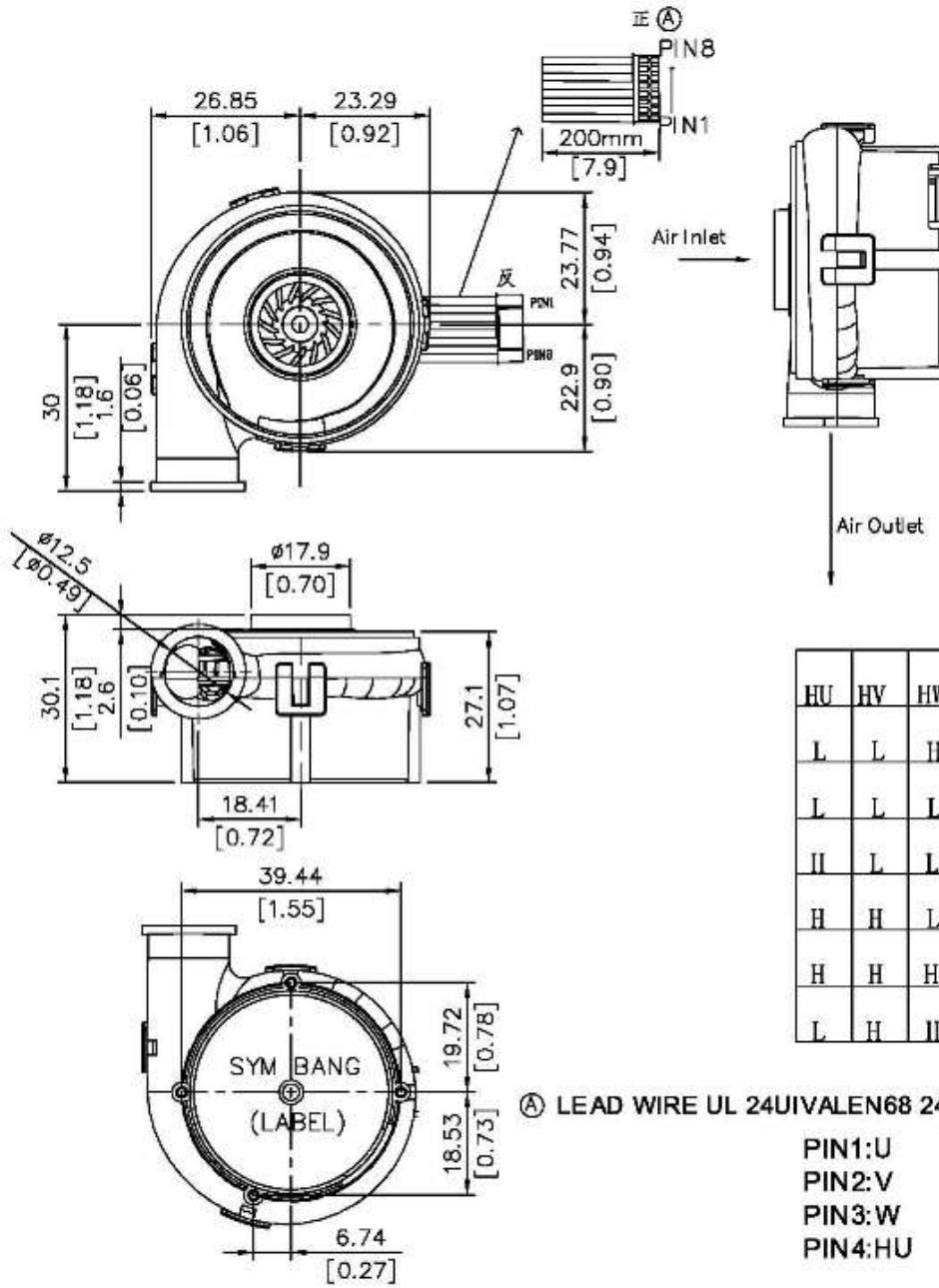
54mm

SPECIFICATION

MODEL NO.	RATED VOLTAGE(V)	RATED CURRENT(A)	INPUT POWER(W)	SPEED (RPM)	MAX. AIR PRESSURE		MAX. AIR FLOW		NOISE dB(A) @1M
					inchH2O	mmH2O	CFM	m3/min	
DSB5430V24HBEX-TK	24	0.95	23.00	37000	16.08	408.00	9.46	27	67
DSB5430V24HBW-TK	-	-	-	-	-	-	-	-	-

SYMBANG

DIMENSION



HU	HV	HW	PWM	-
L	L	H	WH	VL
L	L	L	UH	VL
IL	L	L	UH	WL
H	H	L	VH	WL
H	H	H	VH	UL
L	H	IL	WIL	UL

Ⓐ LEAD WIRE UL 24UIVALEN68 24AWGOR EQT

PIN1:U PIN5:HV
 PIN2:V PIN6:HW
 PIN3:W PIN7: -
 PIN4:HU PIN8:+(+5V)

UNIT:mm[inch]

AIR PERFORMANCE

