

# DTF P

# 100229

CE

Ø97mmx229mm(Ø3.7"x9.0")



HOUSING	polypropylene
IMPELLER	Axial Flow Type, ABS Plastic
BEARING	Ball
MOTOR TYPE	Single Phase Ball Bearing Motor
TERMINATION	Lead Wire
OPERATING VOLTAGE RAGE	100VAC to 125VAC for 115V Type 220VAC to 240 VAC for 230V Type
DIELECTRIC STRENGTH	1,500 VAC for 1 second
INSULATION	Class F
INSULATION RESISTANCE	10M Ohms Min. @ 500VDC
OPERATING TEMPERATURE	-20°C to + 60°C
SAFETY	Thermally Protected
WEIGHT	2.7 kg
ROHS COMPLIANCE	Yes
IP LEVEL	IP67
OTHER	Sound absorbent cotton and sound wave holes are built inside to reduce noise level.

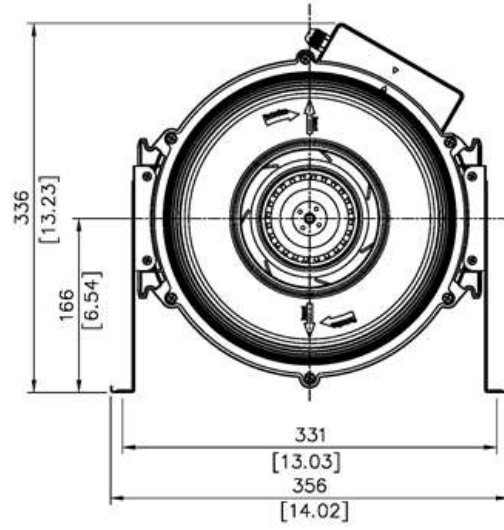
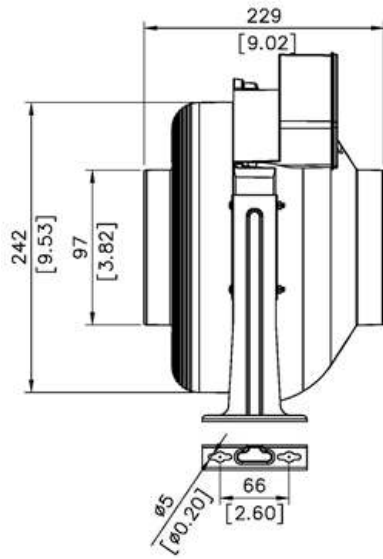
97 mm

## SPECIFICATION

MODEL NO.	RATED VOLTAGE(V)	RATED CURRENT(A)	INPUT POWER(W)	SPEED (RPM)	MAX. AIR PRESSURE		MAX. AIR FLOW		NOISE dB(A) @1M
					inchH2O	mmH2O	CFM	m3/min	
DTFP100229V2	230	0.2	51	2700	1.42	36.01	150.18	4.25	41
DTFP100229V1	115	0.6	75	2700	1.70	43.16	150.18	4.25	41

## DIMENSION

SYMBANG



UNIT: mm[inch]

# AIR PERFORMANCE

