

# DSB

# 5525-TK

55.8x53.8x25.2mm(2.19"x2.12"x0.99")

HOUSING	Thermoplastic PBT, UL94V-0
IMPELLER	Thermoplastic PBT, UL94V-0
BEARING	Ball
OPERATING TEMPERATURE	-10°C to + 60°C
DIELECTRIC STRENGTH	5mA Max. at 500 VAC for 1 minute
INSULATION RESISTANCE	10M $\Omega$ min. @500 VDC
WEIGHT	150 g
ROHS COMPLIANCE	Yes
IP LEVEL	IP21(Special IP Rating On Request)

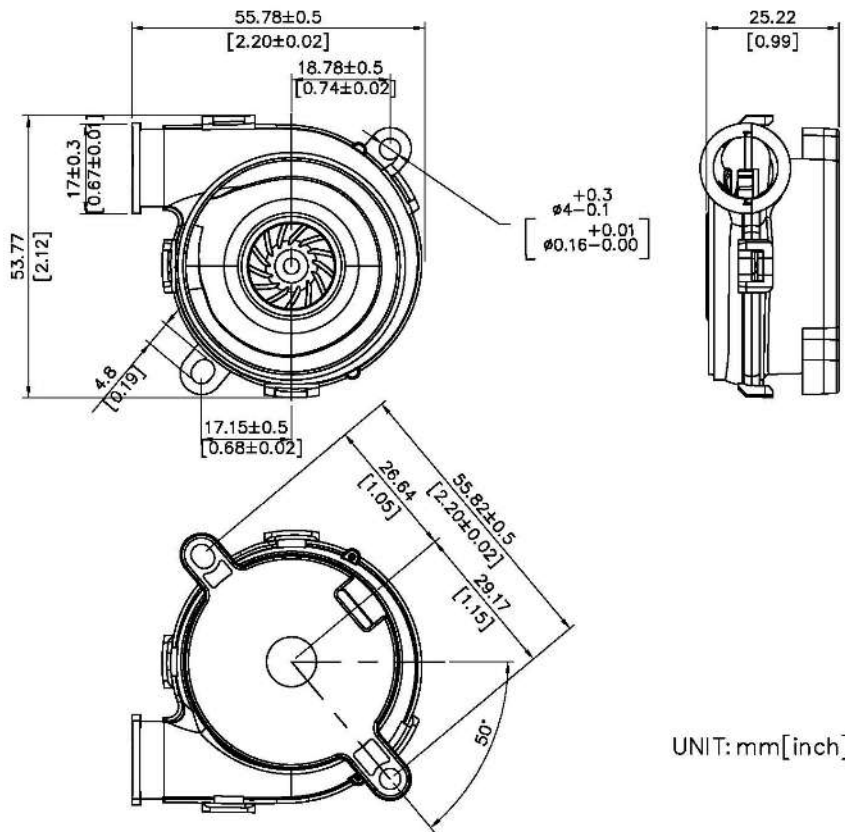
# 55 mm

## SPECIFICATION

MODEL NO.	RATED VOLTAGE(V)	RATED CURRENT(A)	INPUT POWER(W)	SPEED (RPM)	MAX. AIR PRESSURE		MAX. AIR FLOW		NOISE dB(A) @1M
					inchH2O	mmH2O	CFM	m3/min	
DSB5525V24HB-TK	24	1.25	30.00	40000	19.27	489	10.62	0.3	67.2
DSB5525V12HB-TK	12	2.50	30.00	40000	19.27	489	10.62	0.3	67.2

## DIMENSION

SYMBANG



UNIT: mm[inch]

# AIR PERFORMANCE

