

Sirocco Blower

Sirocco Blower

PART NUMBER CODE

AC Sirocco Blower

AB	132	63	V1	H	B	L
Fan Type	Fan Size		Voltage	Speed	Bearing	Termination
AB : AC Blower	Length of case (measure from blow side)	Thickness	V1 (AC 110-120V) V2 (AC 220-240V)	H : High M : Medium L : Low	B : Ball S : Sleeve	L : Lead Wires

132 mm P. 224

242 mm P. 225

411 mm P. 226

DC Sirocco Blower

DB	225	245	V24	H	B	L
Fan Type	Fan Size		Voltage	Speed	Bearing	Termination
DB : DC Blower	Length of case (measure from blow side)	Thickness	V5 (DC 5V) V12 (DC 12V) V24 (DC 24V) V48 (DC 48V)	H : High M : Medium L : Low	B : Ball S : Sleeve	L : Lead Wires

225 mm P. 227

242 mm P. 228

AB 242291

242X240X291mm(9.52"x9.45"x11.46")



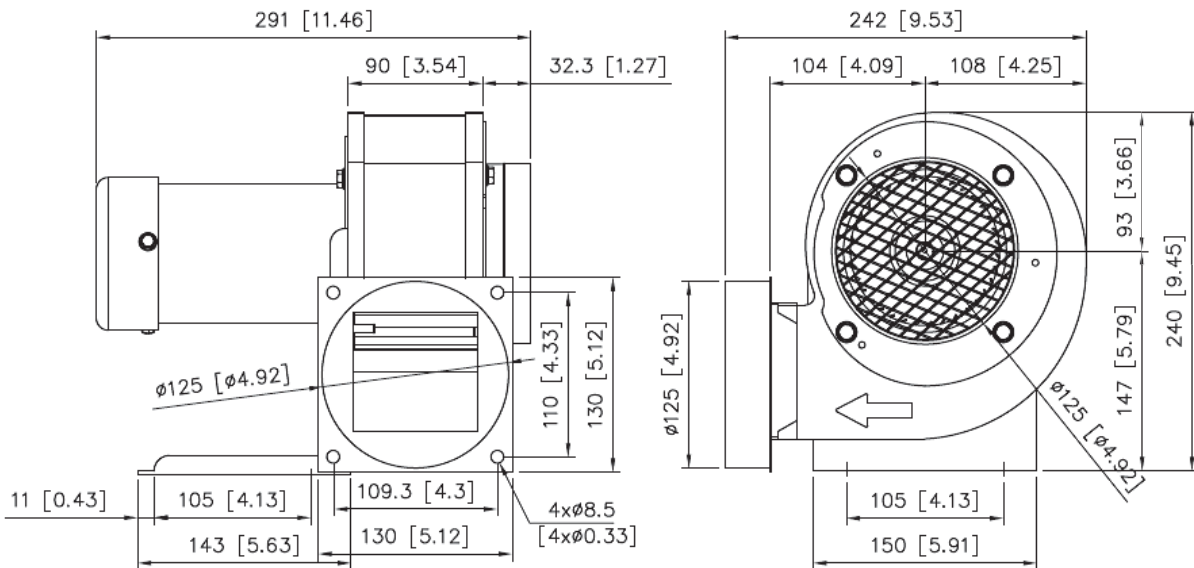
HOUSING	Steel
IMPELLER	Aluminum
BEARING	Ball
TERMINATION	Lead Wire
OPERATING TEMPERATURE	0°C to + 55°C
DIELECTRIC STRENGTH	5mA Max. at 1500 VAC for 1 second
INSULATION RESISTANCE	10M Ω min. @500 VDC
WEIGHT	6.1 Kg
ROHS COMPLIANCE	Yes
IP LEVEL	IP44 (Special IP Rating On Request)

APPLICATION

1. FACTORY<Especially for all factory with cold and warm air facilities, Electronics factory, Textile Industry, Laboratory, Frozen factory, Chemical factory, Paint Factory, Packinghouse, Circulating & Exchanging Fresh air in sewerage, Field storage, etc.>
2. HOUSE AND COTTAGE<House, Apartment building, Cottage, etc.>
3. Ventilation, Air conditioning, Dryer, Dehumidifier, etc.

242mm

DIMENSION

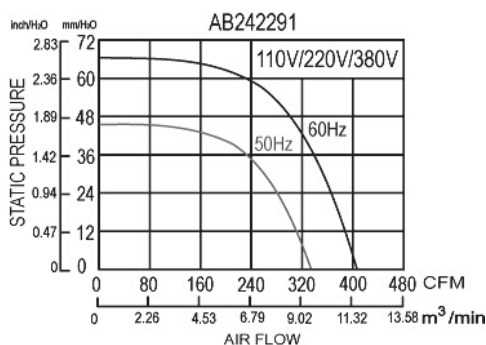


UNIT: mm[inch]

SPECIFICATION

MODEL NO.	RATED VOLTAGE (V)	FREQUENCY (Hz)	RATED CURRENT (A)	INPUT POWER (W)	SPEED (RPM)	MAX. AIR PRESSURE		MAX. AIR FLOW		NOISE dB(A) @1M
						inch/H ₂ O	mm/H ₂ O	CFM	m ³ /min	
AB242291V1H2PS	110	50/60	2.40/3.00	230/320	2800/3480	1.81/2.62	46.0/66.6	335/409	9.5/11.6	80
AB242291V2H2PS	220	50/60	1.20/1.50	230/320	2800/3480	1.81/2.62	46.0/66.6	335/409	9.5/11.6	80
AB242291V2H2PT	220	50/60	0.80/1.00	230/320	2800/3480	1.81/2.62	46.0/66.6	335/409	9.5/11.6	80
AB242291V3H2PT	380	50/60	0.45/0.55	230/320	2800/3480	1.81/2.62	46.0/66.6	335/409	9.5/11.6	80

AIR PERFORMANCE



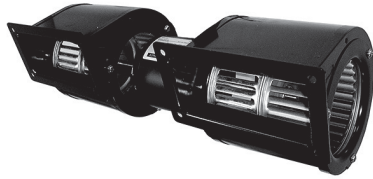
Please scan the



for our latest information or visit www.activa.com.tw

AB 411146

411X146X86mm(16.2"x5.75"x3.39")



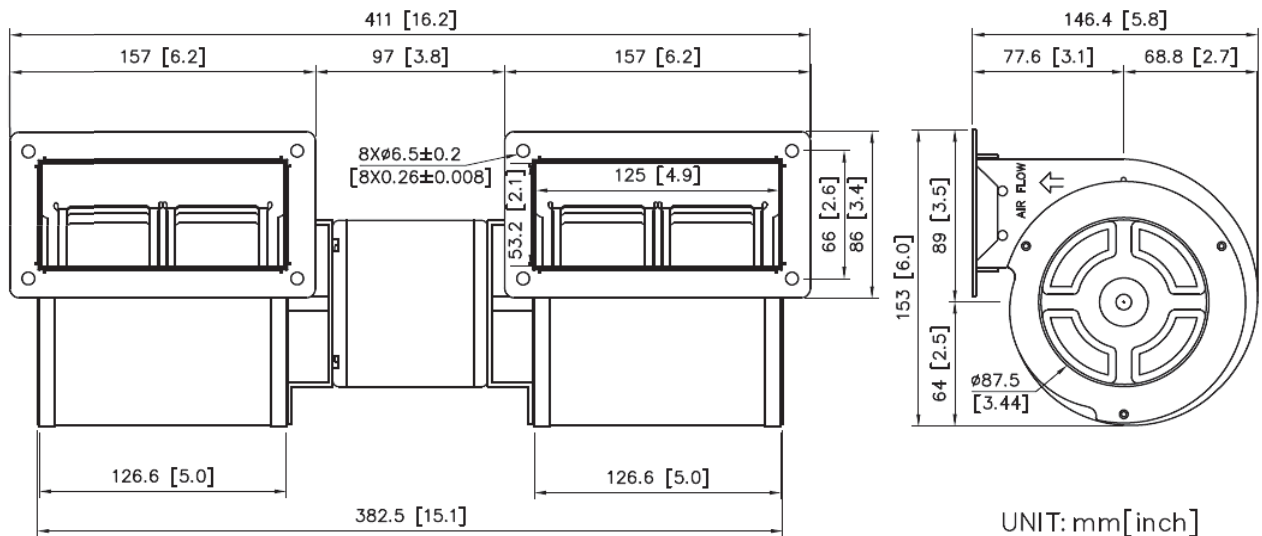
HOUSING	Steel
IMPELLER	Aluminum
BEARING	Ball
TERMINATION	Lead Wire
OPERATING TEMPERATURE	0°C to + 55°C
DIELECTRIC STRENGTH	5mA Max. at 1500 VAC for 1 second
INSULATION RESISTANCE	10M Ω min. @500 VDC
MOTOR TYPE	Shaded Pole Motor
WEIGHT	3.2 Kg
ROHS COMPLIANCE	Yes
IP LEVEL	IP21 (Special IP Rating On Request)

APPLICATION

1. FACTORY<Especially for all factory with cold and warm air facilities, Electronics factory, Textile Industry, Laboratory, Fridge factory, Chemical factory, Paint Factory, Packinghouse, Circulating & Exchanging Fresh air in sewerage, Field storage, etc.>
2. HOUSE AND COTTAGE<House, Apartment building, Cottage, etc.>
3. Ventilation, Air conditioning, Dryer, Dehumidifier, etc.

411mm

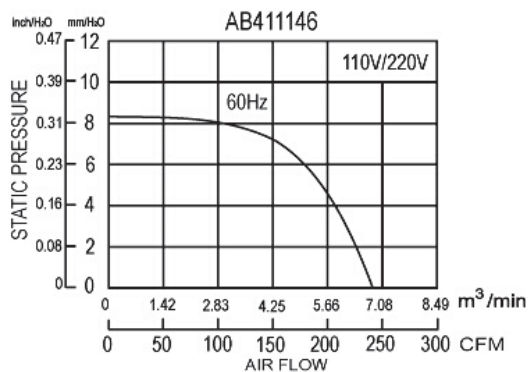
DIMENSION



SPECIFICATION

MODEL NO.	RATED VOLTAGE (V)	FREQUENCY (Hz)	RATED CURRENT (A)	INPUT POWER (W)	SPEED (RPM)	MAX. AIR PRESSURE		MAX. AIR FLOW	
						inch/H ₂ O	mm/H ₂ O	CFM	m ³ /min
AB411146V1HBL	110	60	0.44	25	1655	0.33	8.3	240	6.86
AB411146V2HBL	220	60	0.22	25	1655	0.33	8.3	240	6.86

AIR PERFORMANCE



DB 225245

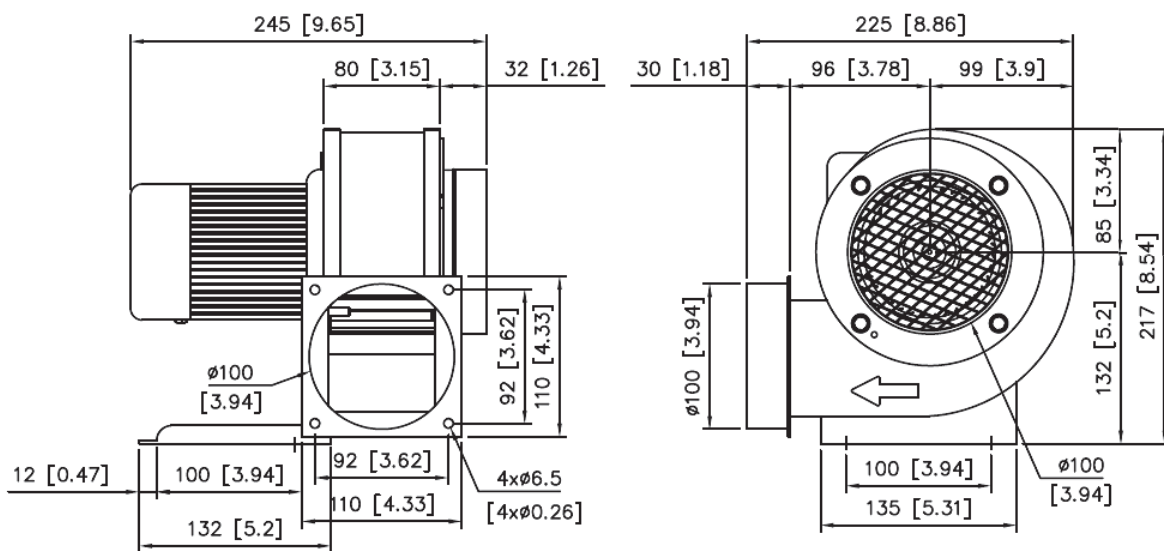
225X245X217mm(8.86"x9.65"x8.54")



HOUSING Steel
 IMPELLER Steel
 BEARING Ball
 OPERATING TEMPERATURE 0°C to + 40°C
 DIELECTRIC STRENGTH 5mA Max. at 700 VDC for 1 second
 INSULATION RESISTANCE 10M Ω min. @500 VDC
 WEIGHT 3.2 kg
 ROHS COMPLIANCE Yes
 IP LEVEL IP21 (Special IP Rating On Request)

225 mm

DIMENSION

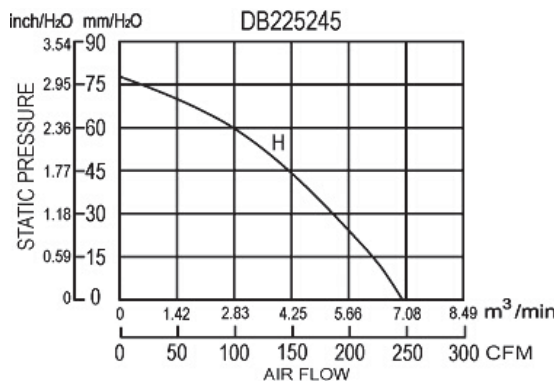


UNIT: mm[inch]

SPECIFICATION

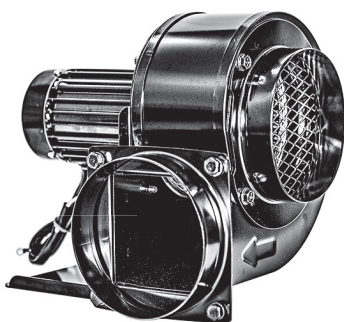
MODEL NO.	RATED VOLTAGE (V)	RATED CURRENT (A)	INPUT POWER (W)	SPEED (RPM)	MAX. AIR PRESSURE inch/H ₂ O mm/H ₂ O	MAX. AIR FLOW CFM m ³ /min	NOISE dB(A) @1M
DB225245V24HB	24	5.6	134.4	3550	3.07 78	247 6.99	74

AIR PERFORMANCE



DB 242264

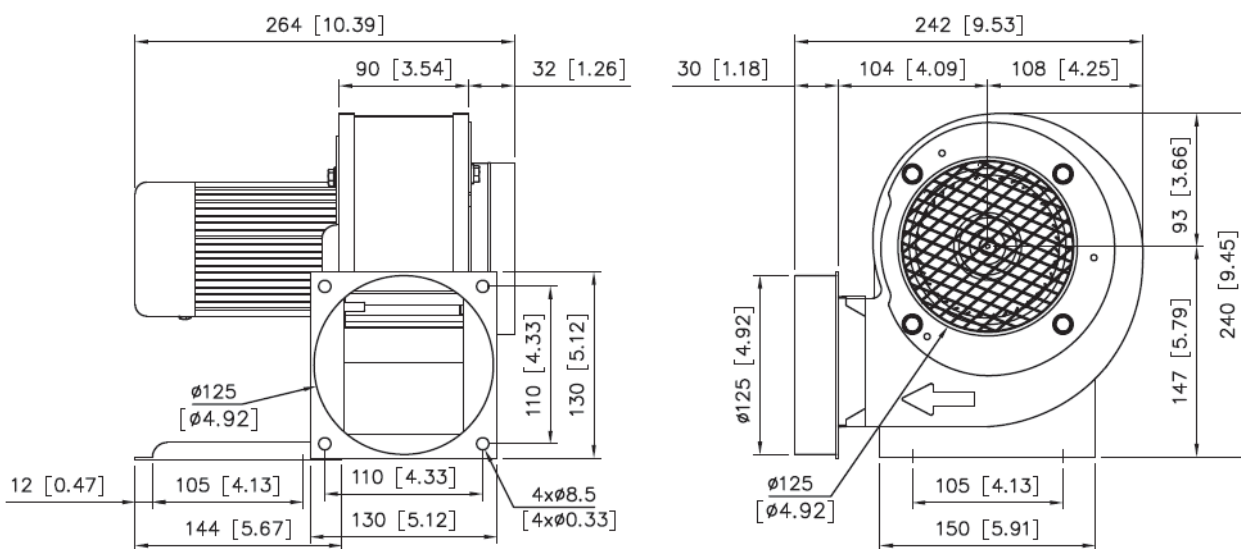
242X264X240mm(9.53"x10.39"x9.45")



HOUSING Steel
 IMPELLER Steel
 BEARING Ball
 OPERATING TEMPERATURE 0°C to + 40°C
 DIELECTRIC STRENGTH 5mA Max. at 700 VDC for 1 second
 INSULATION RESISTANCE 10M Ω min. @500 VDC
 WEIGHT 4.3 kg
 ROHS COMPLIANCE Yes
 IP LEVEL IP21 (Special IP Rating On Request)

242 mm

DIMENSION



UNIT: mm[inch]

SPECIFICATION

MODEL NO.	RATED VOLTAGE (V)	RATED CURRENT (A)	INPUT POWER (W)	SPEED (RPM)	MAX. AIR PRESSURE inch/H ₂ O mm/H ₂ O	MAX. AIR FLOW CFM m ³ /min	NOISE dB(A) @1M
DB242264V24HB	24	9	216	3570	4.02 102	327.7 9.27	75

AIR PERFORMANCE

