

Cross Flow Fan

Cross Flow Fan

PART NUMBER CODE

AC Cross Flow Fan

AFS	30	160	V2	H	B	A	-L	-FG	-NS
Motor Type	Impeller Diameter	Impeller Length	Voltage	Speed	Bearing	Special Type	Motor Side	Function	Switch
AFS : AC Shaded Pole AFC : AC Capacitor AFG : AC Shaded Pole with Scroll Shape Case	30 : Ø30mm 40 : Ø40mm etc.	098 : 98mm 160 : 160mm etc.	V1 (AC 110-120V) V2 (AC 220-240V)	H : High M : Medium L : Low XL : Extra Low	B : Ball S : Sleeve	Special Type	L : Left Motor R : Right Motor (View from Airflow Side)	FG : FG Signal RD : RD Signal	NS : No switch TS : Switch Installed In The Fan CS : Switch & Cable To Car Box (Supply By Buyer)

▼ Impeller Diameter

Ø30 mm	P. 183	Ø60 mm	P. 188
Ø40 mm	P. 184	Ø81 mm	P. 191
Ø43 mm	P. 185	Ø90 mm	P. 192
Ø50 mm	P. 186	Ø110 mm	P. 193
		Ø150 mm	P. 194

DC Cross Flow Fan

DF	30	160	V24	H	B	-L	-FG	A	-3P
Motor Type	Impeller Diameter	Impeller Length	Voltage	Speed	Bearing	Motor Side	Function	Special Type	Phase
DF/DFB/DFH/DFQ : DC Brushless with different frame DFA : DC Brushless Special DFG : DC Brushless with Scroll Shape Case DFM : DC Brushless with 180° air flow	30 : Ø30mm 40 : Ø40mm etc.	098 : 98mm 160 : 160mm etc.	V12 (DC 12V) V24 (DC 24V) V48 (DC 48V)	SH : Super Speed -High SM : Super Speed -Medium SL : Super Speed -Low H : High M : Medium L : Low XL : Extra Low	B : Ball S : Sleeve	L : Left Motor R : Right Motor (View from Airflow Side)	FG : FG Signal RD : RD Signal PWM: PWM Signal	Special Type	3 Phase

▼ Impeller Diameter

Ø25 mm	P. 195	Ø50 mm	P. 206
Ø30 mm	P. 196	Ø60 mm	P. 209
Ø40 mm	P. 199	Ø65 mm	P. 214
Ø43 mm	P. 201	Ø81 mm	P. 216
Ø45 mm	P. 204	Ø90 mm	P. 218

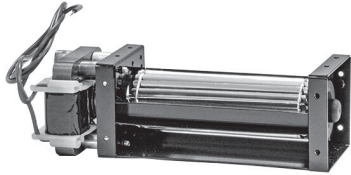
Air Curtain

AAC	110	900	V1	D
Fan Type	Impeller Diameter	Impeller Length	Voltage	Speed
AAC : AC Air Curtain	110 : Ø110mm etc.	900 : 900mm etc.	V1 (AC 110-120V) V2 (AC 220-240V)	D : Double Speed S : Single Speed

▼ Impeller Diameter

Ø110 mm	P. 219
---------	--------

AFS 30 $\varnothing 30\text{mm}(\varnothing 1.18")$

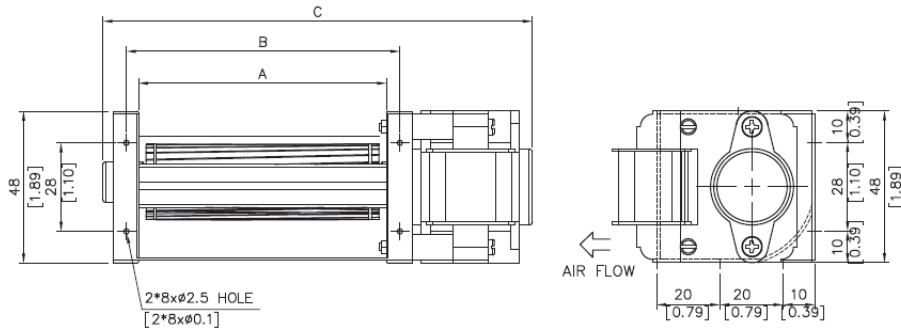


HOUSING	Metal/Aluminum
IMPELLER	Aluminum, $\varnothing 30\text{mm}$
BEARING	Ball or Sleeve
INSULATION	Class A
OPERATING TEMPERATURE	0°C to + 45°C
OPERATING VOLTAGE RANGE	85 VAC to 125 VAC for 115V Type 185 VAC to 245 VAC for 230V Type
DIELECTRIC STRENGTH	1,500 VAC for 1 second
INSULATION RESISTANCE	10M Ω min. @500 VDC
SAFETY	Impedance Protected
MOTOR TYPE	Shaded Pole Motor
ROHS COMPLIANCE	Yes
IP LEVEL	IP21 (Special IP Rating On Request)

30 mm

※FAN IS FOR HORIZONTAL USE ONLY※

DIMENSION



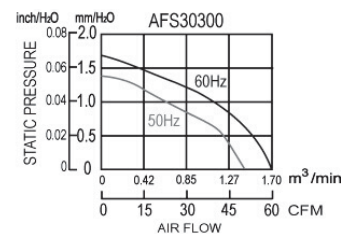
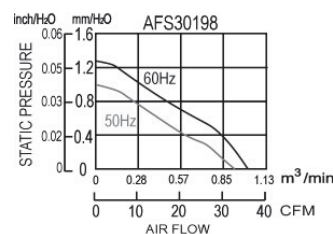
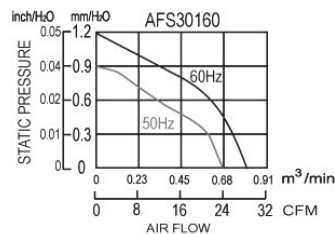
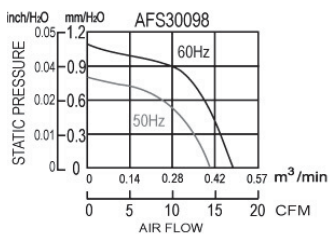
MODEL NO.	DIMENSION(mm)			WEIGHT (g)
	A	B	C	
AFS30098	98	108	154	390
AFS30160	160	170	222	520
AFS30198	198	208	260	540
AFS30300	300	310	366	670

UNIT: mm[inch]

SPECIFICATION

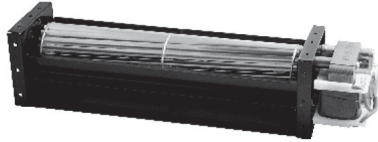
MODEL NO.	RATED VOLTAGE (V)	FREQUENCY (Hz)	RATED CURRENT (A)	INPUT POWER (W)	SPEED (RPM)	MAX. AIR PRESSURE		MAX. AIR FLOW		NOISE dB(A) @1M
						inch/H ₂ O	mm/H ₂ O	CFM	m ³ /min	
AFS30098V1H	120	50/60	0.11/0.09	8/7	2500/2900	0.03/0.04	0.8/1.1	14/17	0.4/0.5	21/24
AFS30098V2H	230	50/60	0.07/0.05	8/7	2500/2900	0.03/0.04	0.8/1.1	14/17	0.4/0.5	21/24
AFS30160V1H	120	50/60	0.14/0.12	9/8	2700/3100	0.04/0.05	0.9/1.2	24/28	0.7/0.8	27/30
AFS30160V2H	230	50/60	0.09/0.07	10/9	2700/3100	0.04/0.05	0.9/1.2	24/28	0.7/0.8	27/30
AFS30198V1H	120	50/60	0.14/0.12	9/8	2700/3100	0.04/0.05	1.0/1.3	32/35	0.9/1.0	27/30
AFS30198V2H	230	50/60	0.09/0.07	11/9	2700/3100	0.04/0.05	1.0/1.3	32/35	0.9/1.0	27/30
AFS30300V1H	120	50/60	0.20/0.17	15/13	2700/3100	0.06/0.07	1.4/1.7	53/60	1.5/1.7	32/34
AFS30300V2H	230	50/60	0.09/0.07	12/11	2700/3100	0.06/0.07	1.4/1.7	53/60	1.5/1.7	32/34

AIR PERFORMANCE



AFS 40

Ø40mm(Ø1.58")

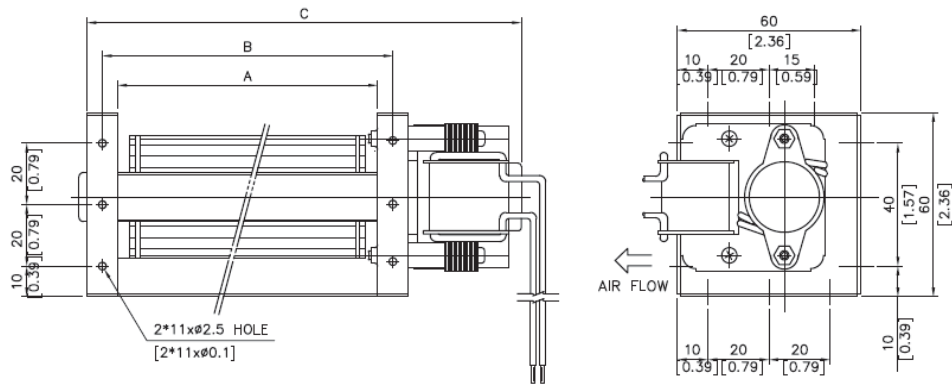


HOUSING	Metal/Aluminum
IMPELLER	Aluminum, Ø40mm
BEARING	Ball or Sleeve
INSULATION	Class A
OPERATING TEMPERATURE	0°C to + 45°C
OPERATING VOLTAGE RANGE	85 VAC to 125 VAC for 115V Type 185 VAC to 245 VAC for 230V Type
DIELECTRIC STRENGTH	1,500 VAC for 1 second
INSULATION RESISTANCE	10M Ω min. @500 VDC
SAFETY	Impedance Protected
MOTOR TYPE	Shaded Pole Motor
ROHS COMPLIANCE	Yes
IP LEVEL	IP21 (Special IP Rating On Request)

40 mm

※FAN IS FOR HORIZONTAL USE ONLY※

DIMENSION

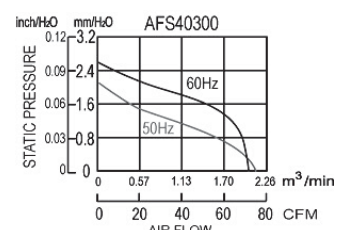
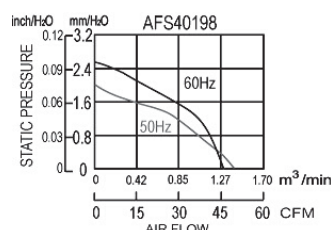
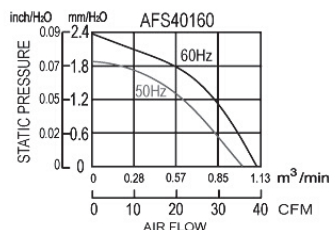
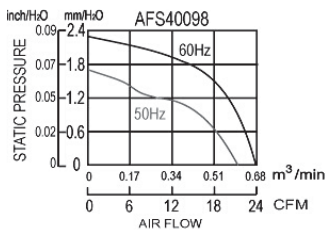


MODEL NO.	DIMENSION(mm)			WEIGHT (g)
	A	B	C	
AFS40098	98	108	160	520
AFS40160	160	170	222	560
AFS40198	198	208	260	600
AFS40300	300	310	366	730

SPECIFICATION

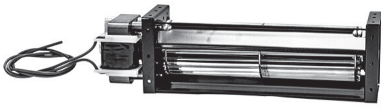
MODEL NO.	RATED VOLTAGE (V)	FREQUENCY (Hz)	RATED CURRENT (A)	INPUT POWER (W)	SPEED (RPM)	MAX. AIR PRESSURE		MAX. AIR FLOW		NOISE dB(A) @1M
						inch/H ₂ O	mm/H ₂ O	CFM	m ³ /min	
AFS40098V1H	120	60	0.12	9	3000	0.09	2.3	24	0.7	33
AFS40098V2H	230	50	0.09	11	2700	0.07	1.7	21	0.6	29
AFS40160V1H	120	60	0.13	10	2800	0.09	2.4	39	1.1	34
AFS40160V2H	230	50	0.09	11	2600	0.07	1.9	35	1.0	30
AFS40198V1H	120	60	0.13	9	2400	0.10	2.6	46	1.3	31
AFS40198V2H	230	50	0.09	12	2500	0.08	2.0	49	1.4	33
AFS40300V1H	120	60	0.21	16	2200	0.10	2.6	70	2.0	35
AFS40300V2H	230	50	0.10	13	2400	0.08	2.1	74	2.1	37

AIR PERFORMANCE



AFS 43

Ø43mm(Ø1.69")

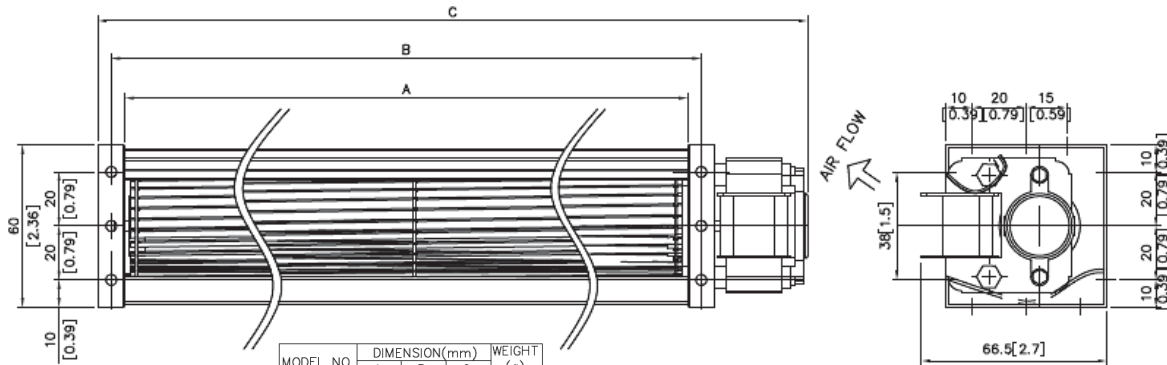


HOUSING	Metal/Aluminum
IMPELLER	Aluminum, Ø43mm
BEARING	Ball or Sleeve
INSULATION	Class A
OPERATING TEMPERATURE	0°C to + 45°C
OPERATING VOLTAGE RANGE	85 VAC to 125 VAC for 115V Type 185 VAC to 245 VAC for 230V Type
DIELECTRIC STRENGTH	1,500 VAC for 1 second
INSULATION RESISTANCE	10M Ω min. @500 VDC
SAFETY	Impedance Protected
MOTOR TYPE	Shaded Pole Motor
ROHS COMPLIANCE	Yes
IP LEVEL	IP21 (Special IP Rating On Request)

43 mm

※FAN IS FOR HORIZONTAL USE ONLY※

DIMENSION



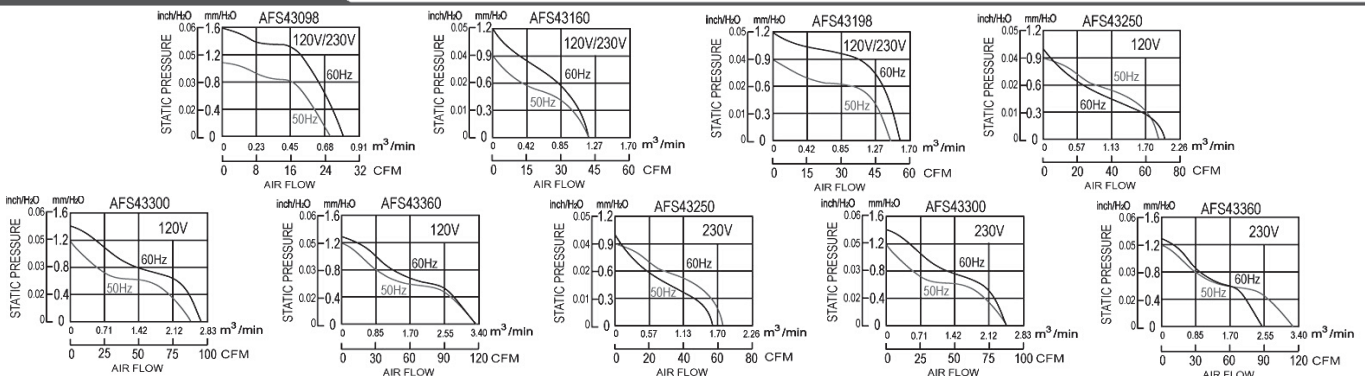
MODEL NO.	DIMENSION(mm)			WEIGHT (g)
	A	B	C	
AFS43098	98	108	160	520
AFS43160	160	170	222	550
AFS43198	198	208	264	650
AFS43250	250	260	315	680
AFS43300	300	310	375	890
AFS43360	360	370	435	920

UNIT:mm[inch]

SPECIFICATION

MODEL NO.	RATED VOLTAGE (V)	FREQUENCY (Hz)	RATED CURRENT (A)	INPUT POWER (W)	SPEED (RPM)	MAX. AIR PRESSURE		MAX. AIR FLOW		NOISE dB(A) @1M
						inch/H2O	mm/H2O	CFM	m3/min	
AFS43098V1H	120	50/60	0.14/0.12	10/9	2600/3000	0.04/0.06	1.1/1.6	25/28	0.7/0.8	33/35
AFS43098V2H	230	50/60	0.08/0.07	10/9	2600/3000	0.04/0.06	1.1/1.6	25/28	0.7/0.8	33/35
AFS43160V1H	120	50/60	0.15/0.13	11/10	2500/2500	0.04/0.05	0.9/1.2	42/42	1.2/1.2	35/35
AFS43160V2H	230	50/60	0.08/0.07	11/10	2500/2500	0.04/0.05	0.9/1.2	42/42	1.2/1.2	35/35
AFS43198V1H	120	50/60	0.22/0.19	15/14	2400/2500	0.04/0.05	0.9/1.2	53/56	1.5/1.6	32/35
AFS43198V2H	230	50/60	0.09/0.08	13/12	2400/2500	0.04/0.05	0.9/1.2	53/56	1.5/1.6	32/35
AFS43250V1H	120	50/60	0.22/0.20	16/15	2400/2300	0.04/0.04	0.9/1.0	67/70	1.9/1.8	34/33
AFS43250V2H	230	50/60	0.09/0.08	13/12	2300/2000	0.04/0.04	0.9/1.0	63/56	1.8/1.6	33/30
AFS43300V1H	120	50/60	0.32/0.29	22/21	2600/2900	0.05/0.06	1.2/1.4	88/95	2.5/2.7	38/40
AFS43300V2H	230	50/60	0.14/0.13	19/18	2500/2500	0.05/0.06	1.2/1.4	88/88	2.5/2.5	37/37
AFS43360V1H	120	50/60	0.34/0.32	23/23	2500/2500	0.05/0.05	1.2/1.3	117/117	3.3/3.3	38/38
AFS43360V2H	230	50/60	0.15/0.14	20/19	2400/2100	0.05/0.05	1.2/1.3	113/88	3.2/2.5	36/33

AIR PERFORMANCE



Cross Flow Fans

Please scan the



for our latest information or visit www.activa.com.tw

AFS 50

Ø50mm(Ø1.97")

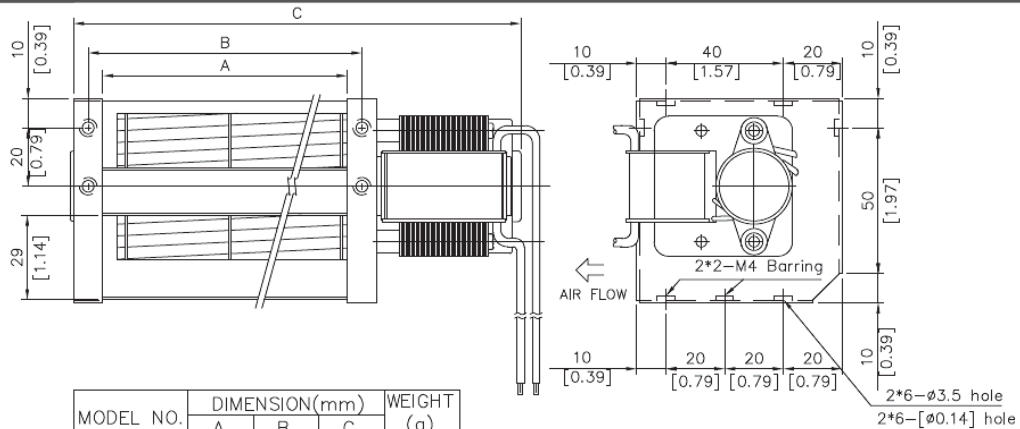


HOUSING	Metal/Aluminum
IMPELLER	Aluminum, Ø50mm
BEARING	Ball or Sleeve
INSULATION	Class A
OPERATING TEMPERATURE	0°C to + 45°C
OPERATING VOLTAGE RANGE	85 VAC to 125 VAC for 115V Type 185 VAC to 245 VAC for 230V Type
DIELECTRIC STRENGTH	1,500 VAC for 1 second
INSULATION RESISTANCE	10M Ω min. @500 VDC
SAFETY	Impedance Protected
MOTOR TYPE	Shaded Pole Motor
ROHS COMPLIANCE	Yes
IP LEVEL	IP21 (Special IP Rating On Request)

50 mm

※FAN IS FOR HORIZONTAL USE ONLY※

DIMENSION



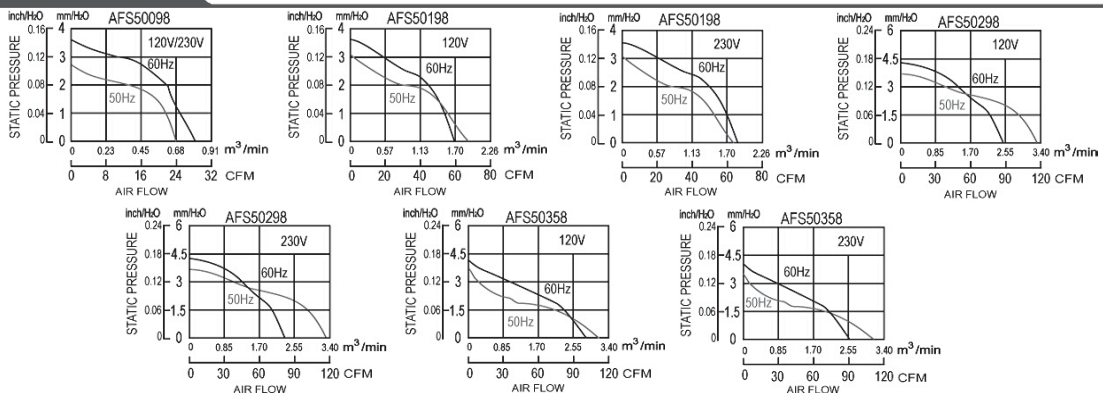
MODEL NO.	DIMENSION(mm)			WEIGHT (g)
	A	B	C	
AFS50098	98	108	162	610
AFS50198	198	208	267	770
AFS50298	298	308	377	1100
AFS50358	358	368	437	1200

UNIT: mm[inch]

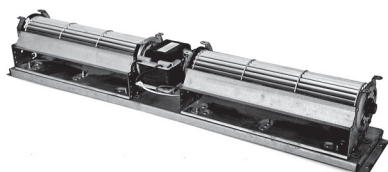
SPECIFICATION

MODEL NO.	RATED VOLTAGE (V)	FREQUENCY (Hz)	RATED CURRENT (A)	INPUT POWER (W)	SPEED (RPM)	MAX. AIR PRESSURE		MAX. AIR FLOW		NOISE dB(A) @1M
						inch/H2O	mm/H2O	CFM	m3/min	
AFS50098V1H	120	50/60	0.15/0.13	11/10	2500/2600	0.11/0.14	2.7/3.6	24/28	0.7/0.8	36/37
AFS50098V2H	230	50/60	0.09/0.07	11/10	2500/2600	0.11/0.14	2.7/3.6	24/28	0.7/0.8	36/37
AFS50198V1H	120	50/60	0.23/0.21	18/16	2000/1600	0.12/0.15	3.1/3.7	67/60	1.9/1.7	36/33
AFS50198V2H	230	50/60	0.10/0.09	14/13	2100/1700	0.12/0.14	3.1/3.6	63/65	1.8/1.6	35/32
AFS50298V1H	120	50/60	0.35/0.33	24/24	2000/1800	0.15/0.17	3.7/4.3	116/88	3.3/2.5	41/37
AFS50298V2H	230	50/60	0.15/0.14	21/20	2100/1500	0.15/0.16	3.7/4.1	116/81	3.3/2.3	41/35
AFS50358V1H	120	50/60	0.35/0.33	23/23	2300/2000	0.12/0.17	3.7/4.3	110/103	3.1/2.9	41/36
AFS50358V2H	230	50/60	0.15/0.14	20/19	2000/1400	0.14/0.16	3.5/4.0	110/92	3.0/2.6	40/34

AIR PERFORMANCE



AFS 50-TC $\varnothing 50\text{mm}(\varnothing 1.97\text{'})$

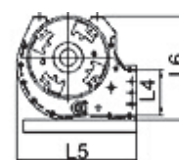
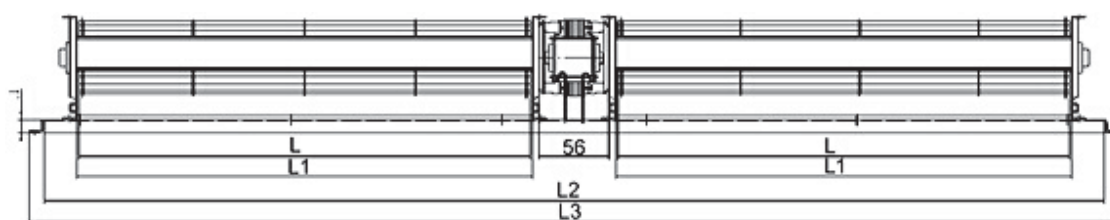


HOUSING	Meta/Aluminum
IMPELLER	Aluminum, $\varnothing 50\text{mm}$
BEARING	Ball or Sleeve
INSULATION	Class A
OPERATING TEMPERATURE	0°C to $+45^{\circ}\text{C}$
OPERATING VOLTAGE RANGE	85 VAC to 125 VAC for 115V Type 185 VAC to 245 VAC for 230V Type
DIELECTRIC STRENGTH	1,500 VAC for 1 second
INSULATION RESISTANCE	$10\text{M } \Omega$ min. @500 VDC
SAFETY	Impedance Protected
MOTOR TYPE	Shaded Pole Motor
ROHS COMPLIANCE	Yes
IP LEVEL	IP21 (Special IP Rating On Request)

50_{mm}

※FAN IS FOR HORIZONTAL USE ONLY※

DIMENSION



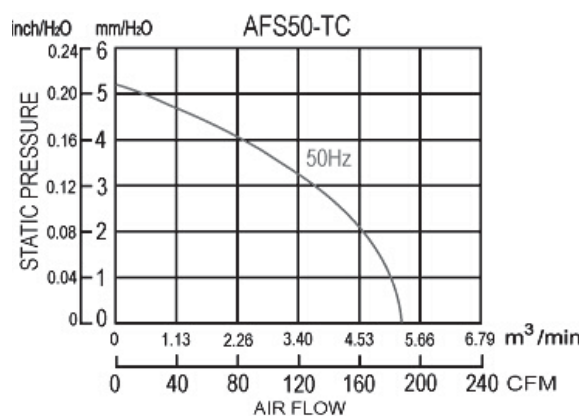
MODEL NO.	DIMENSION(mm)						
	L	L1	L2	L3	L4	L5	L6
AFS50660-TC	300	308	735	760	28	70	70

SPECIFICATION

MODEL NO.	RATED VOLTAGE (V)	FREQUENCY (Hz)	RATED CURRENT (A)	INPUT POWER (W)	SPEED (RPM)	MAX. AIR PRESSURE		MAX. AIR FLOW		NOISE dB(A) @1M
						inch/H ₂ O	mm/H ₂ O	CFM	m ³ /min	
AFS50660V2H-TC	220	50	/	45	1800	/	/	188	5.3	52

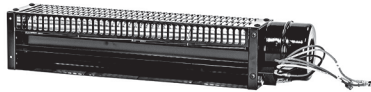
◎ : Double impeller

AIR PERFORMANCE



AFC 60

Ø60mm(Ø2.36")

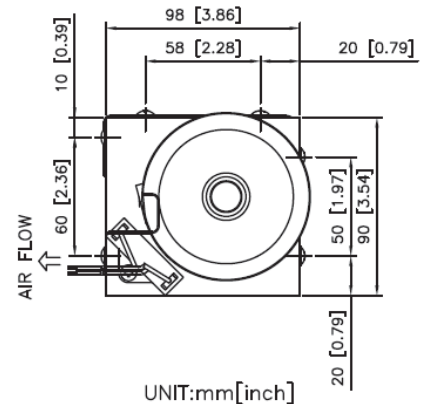
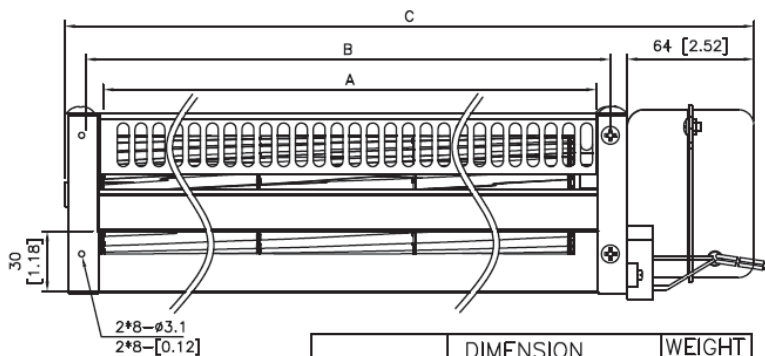


HOUSING	Metal/Aluminum
IMPELLER	Aluminum, Ø60mm
BEARING	Ball
INSULATION	Class A
OPERATING TEMPERATURE	0°C to + 45°C
OPERATING VOLTAGE RANGE	85 VAC to 125 VAC for 115V Type 185 VAC to 245 VAC for 230V Type
DIELECTRIC STRENGTH	1,500 VAC for 1 second
INSULATION RESISTANCE	10M Ω min. @500 VDC
SAFETY	Thermally Protected
MOTOR TYPE	Capacitor Motor
ROHS COMPLIANCE	Yes
IP LEVEL	IP21 (Special IP Rating On Request)

60 mm

※FAN IS FOR HORIZONTAL USE ONLY※

DIMENSION



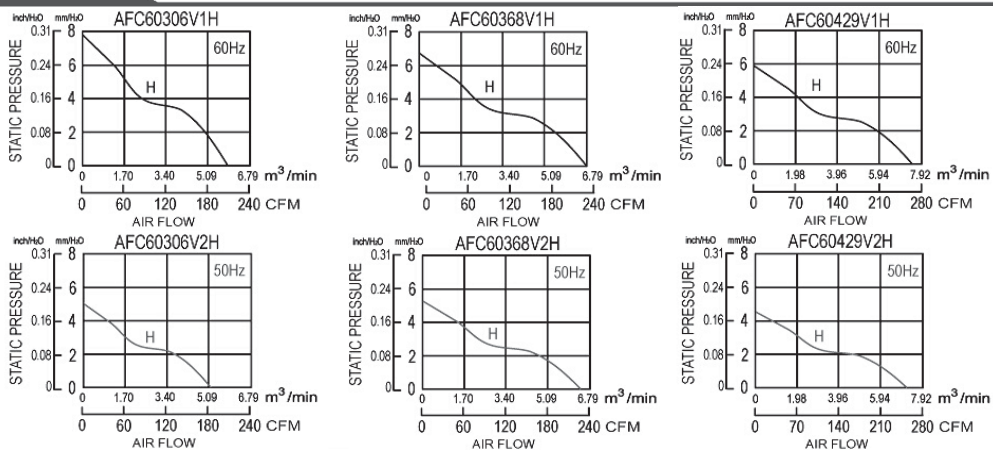
MODEL NO.	DIMENSION			WEIGHT (g)
	A	B	C	
AFC60306	306	321	405	1800
AFC60368	368	383	467	1850
AFC60429	429	444	528	1930

UNIT:mm[inch]

SPECIFICATION

MODEL NO.	RATED VOLTAGE (V)	FREQUENCY (Hz)	RATED CURRENT (A)	INPUT POWER (W)	SPEED (RPM)	MAX. AIR PRESSURE		MAX. AIR FLOW		NOISE dB(A) @1M
						inch/H2O	mm/H2O	CFM	m3/min	
AFC60306V1H	120	60	0.33	39	2900	0.31	7.8	205	5.8	55
AFC60306V2H	230	50	0.15	31	2600	0.20	5.0	183	5.2	50
AFC60368V1H	120	60	0.35	42	2600	0.26	6.7	240	6.8	54
AFC60368V2H	230	50	0.16	34	2500	0.21	5.3	223	6.3	53
AFC60429V1H	120	60	0.39	47	2600	0.23	5.9	267	7.5	54
AFC60429V2H	230	50	0.17	36	2500	0.17	4.4	252	7.1	53

AIR PERFORMANCE



AFC 60G $\varnothing 60\text{mm}(\varnothing 2.36\text{'})$

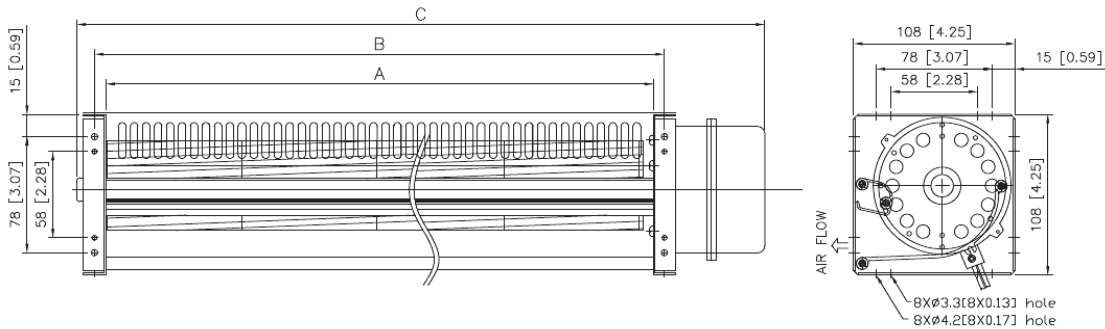


HOUSING	Meta/Aluminum
IMPELLER	Aluminum, $\varnothing 60\text{mm}$
BEARING	Ball
INSULATION	Class A
OPERATING TEMPERATURE	0°C to + 45°C
OPERATING VOLTAGE RANGE	85 VAC to 125 VAC for 115V Type 185 VAC to 245 VAC for 230V Type
DIELECTRIC STRENGTH	1,500 VAC for 1 second
INSULATION RESISTANCE	10M Ω min. @500 VDC
SAFETY	Thermally Protected
MOTOR TYPE	Capacitor Motor
ROHS COMPLIANCE	Yes
IP LEVEL	IP21 (Special IP Rating On Request)

60 mm

※FAN IS FOR HORIZONTAL USE ONLY※

DIMENSION



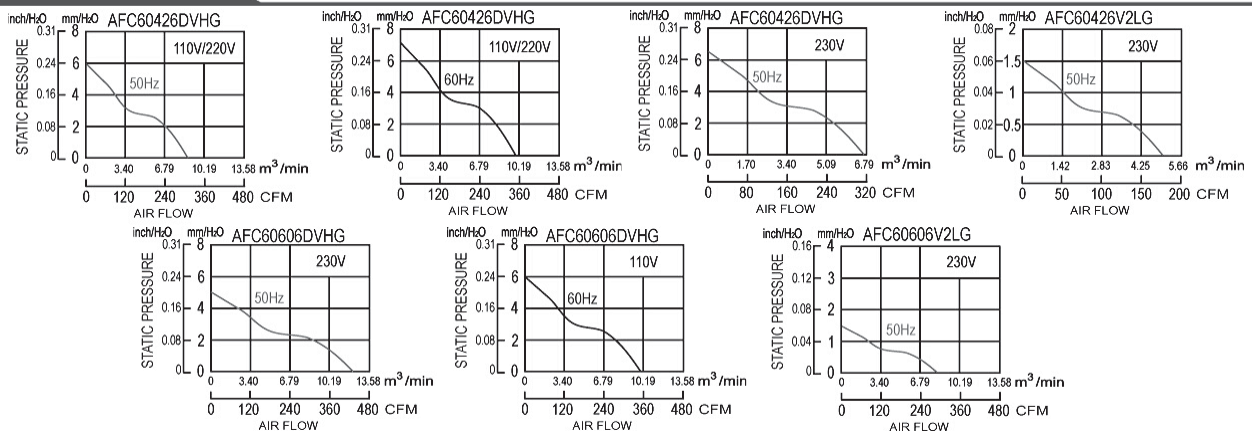
MODEL NO.	DIMENSION (mm)			WEIGHT (g)
	A	B	C	
AFC60426DVHG	426	441	555	2850
AFC60426V2LG	426	441	520	2800
AFC60606DVHG	606	621	735	3300
AFC60606V2LG	606	621	700	3200

UNIT: mm[inch]

SPECIFICATION

MODEL NO.	RATED VOLTAGE (V)	FREQUENCY (Hz)	RATED CURRENT (A)	INPUT POWER (W)	SPEED (RPM)	MAX. AIR PRESSURE		MAX. AIR FLOW		NOISE dB(A) @1M
						inch/H ₂ O	mm/H ₂ O	CFM	m ³ /min	
AFC60426DVHG	110	50/60	0.42/0.56	45/62	2600/2800	0.24/0.28	6/7.2	300/354	8.5/10	55/57
AFC60426DVHG	220	50/60	0.22/0.29	47/64	2600/2800	0.24/0.28	6/7.2	300/354	8.5/10	55/57
AFC60426DVHG	230	50	0.22	49	2700	0.26	6.5	318	9	56
AFC60426V2LG	230	50	0.11	26	1700	0.06	1.5	177	5	34
AFC60606DVHG	110	60	0.67	73	2000	0.24	6.0	354	10	51
AFC60606DVHG	230	60	0.28	64	2300	0.20	5.0	424	12	54
AFC60606V2LG	230	50	0.11	26	1400	0.06	1.5	283	8	37

AIR PERFORMANCE



Please scan the



for our latest information or visit www.activa.com.tw

AFS 60

Ø60mm(Ø2.36")

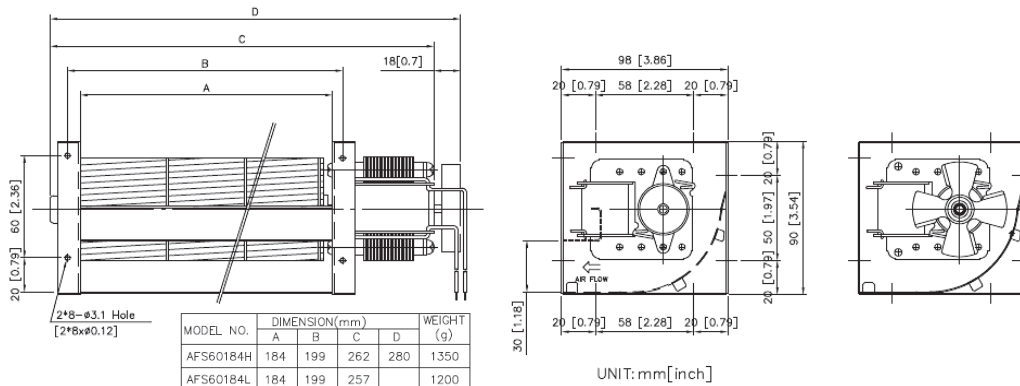


HOUSING	Metal/Aluminum
IMPELLER	Aluminum, Ø60mm
BEARING	Ball
INSULATION	Class A
OPERATING TEMPERATURE	0°C to + 45°C
OPERATING VOLTAGE RANGE	85 VAC to 125 VAC for 115V Type 185 VAC to 245 VAC for 230V Type
DIELECTRIC STRENGTH	1,500 VAC for 1 second
INSULATION RESISTANCE	10M Ω min. @500 VDC
SAFETY	Impedance Protected
MOTOR TYPE	Shaded Pole Motor
ROHS COMPLIANCE	Yes
IP LEVEL	IP21 (Special IP Rating On Request)

60 mm

※FAN IS FOR HORIZONTAL USE ONLY※

DIMENSION

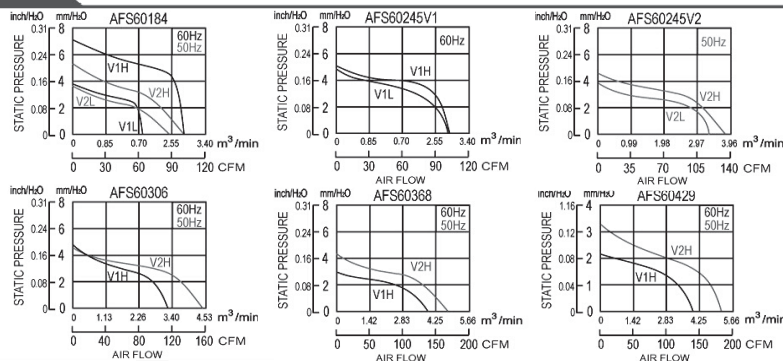


MODEL NO.	DIMENSION(mm)				WEIGHT (g)
	A	B	C	D	
AFS60184H	184	199	262	280	1350
AFS60184L	184	199	257		1200
AFS60245H	245	260	323	341	1500
AFS60245L	245	260	323		1400
AFS60306	306	321	384	402	1500
AFS60368	368	383	446	464	1600
AFS60429	429	444	507	525	1650

SPECIFICATION

MODEL NO.	RATED VOLTAGE (V)	FREQUENCY (Hz)	RATED CURRENT (A)	INPUT POWER (W)	SPEED (RPM)	MAX. AIR PRESSURE		MAX. AIR FLOW		NOISE dB(A)@1M
						inch/H2O	mm/H2O	CFM	m3/min	
AFS60184V1H	120	60	0.55	37	2500	0.29	7.3	106	3.0	47
AFS60184V1L	120	60	0.33	23	1700	0.15	3.8	63	1.8	35
AFS60184V2H	230	50	0.27	34	2500	0.21	5.4	106	3.0	47
AFS60184V2L	230	50	0.17	23	2000	0.15	3.7	88	2.5	39
AFS60245V1H	120	60	0.6	42	2000	0.20	5.1	106	3.0	42
AFS60245V1L	120	60	0.42	31	1900	0.19	4.9	102	2.9	41
AFS60245V2H	230	50	0.27	35	2200	0.18	4.6	133	3.8	44
AFS60245V2L	230	50	0.23	31	2000	0.15	3.9	118	3.3	42
AFS60306V1H	120	60	0.63	42	1900	0.19	4.7	114	3.2	42
AFS60306V2H	230	50	0.28	36	2200	0.18	4.6	154	4.4	44
AFS60368V1H	120	60	0.64	43	1700	0.12	3.0	133	3.8	41
AFS60368V2H	230	50	0.3	38	1900	0.17	4.2	167	4.7	43
AFS60429V1H	120	60	0.64	44	1400	0.09	2.2	139	3.9	41
AFS60429V2H	230	50	0.31	40	1800	0.13	3.3	180	5.1	43

AIR PERFORMANCE



Cross Flow Fans



AFC 81

Ø81mm(Ø3.19")

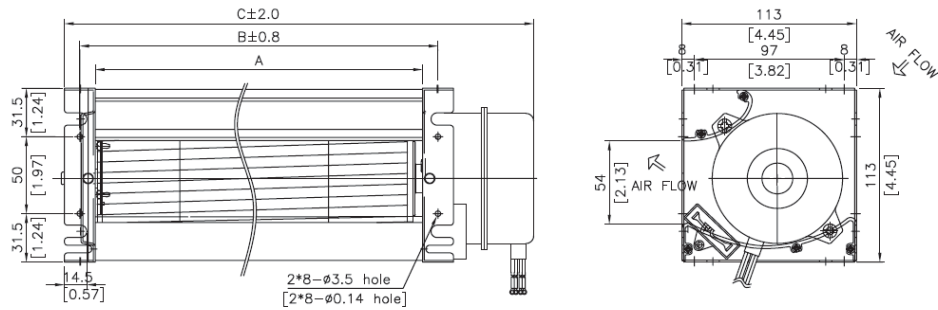


HOUSING	Metal/Aluminum
IMPELLER	Aluminum, Ø81mm
BEARING	Ball
INSULATION	Class A
OPERATING TEMPERATURE	0°C to + 45°C
OPERATING VOLTAGE RANGE	85 VAC to 125 VAC for 115V Type 185 VAC to 245 VAC for 230V Type
DUAL VOLTAGE	115/230VAC
DIELECTRIC STRENGTH	1,500 VAC for 1 second
INSULATION RESISTANCE	10M Ω min. @500 VDC
SAFETY	Thermally Protected
MOTOR TYPE	Capacitor Motor
ROHS COMPLIANCE	Yes
IP LEVEL	IP21 (Special IP Rating On Request)

81 mm

※FAN IS FOR HORIZONTAL USE ONLY※

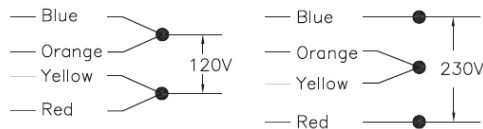
DIMENSION



MODEL NO.	DIMENSION(mm)			WEIGHT (Kg)
	A	B	C	
AFC81420	420	440	513	2.3
AFC81500	500	520	593	2.4
AFC81600	600	620	693	3.0
AFC81700	700	720	793	3.2

UNIT:mm[inch]

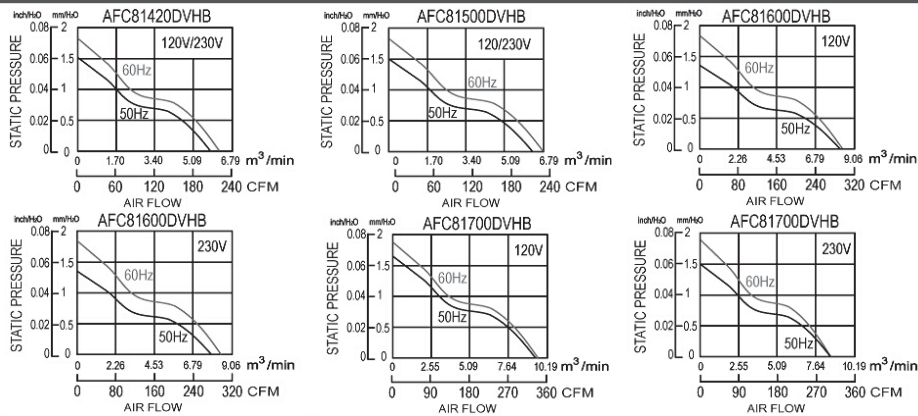
Dual Voltage Wire Diagram



SPECIFICATION

MODEL NO.	RATED VOLTAGE (V)	FREQUENCY (Hz)	RATED CURRENT (A)	INPUT POWER (W)	SPEED (RPM)	MAX. AIR PRESSURE		MAX. AIR FLOW		NOISE dB(A) @1M
						inch/H ₂ O	mm/H ₂ O	CFM	m ³ /min	
AFC81420DVHB	120	50/60	0.25/0.29	26/31	1300/1450	0.05/0.07	1.3/1.8	183/204	5.2/5.8	44/47
AFC81420DVHB	230	50/60	0.14/0.16	27/31	1300/1350	0.05/0.07	1.3/1.8	183/194	5.2/5.5	44/46
AFC81500DVHB	120	50/60	0.25/0.29	27/32	1300/1400	0.06/0.07	1.4/1.9	233/251	6.6/7.1	44/46
AFC81500DVHB	230	50/60	0.15/0.16	27/32	1250/1300	0.05/0.07	1.3/1.8	223/233	6.3/6.6	43/44
AFC81600DVHB	120	50/60	0.33/0.37	35/41	1250/1300	0.06/0.07	1.4/1.8	261/279	7.4/7.9	45/46
AFC81600DVHB	230	50/60	0.18/0.20	35/40	1200/1200	0.05/0.07	1.3/1.8	257/257	7.3/7.3	44/44
AFC81700DVHB	120	50/60	0.34/0.38	36/42	1250/1250	0.05/0.06	1.2/1.6	300/300	8.5/8.5	45/45
AFC81700DVHB	230	50/60	0.19/0.21	36/40	1150/1100	0.05/0.06	1.2/1.5	279/272	7.9/7.7	43/42

AIR PERFORMANCE



Please scan the



for our latest information or visit www.activa.com.tw

AFC 90

Ø90mm(Ø3.55")

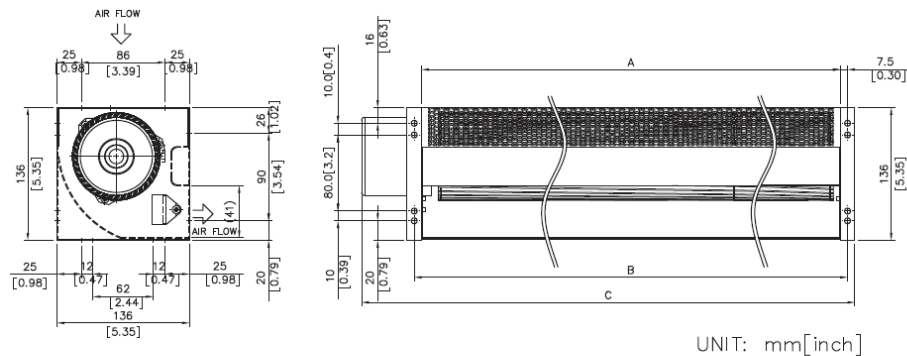


HOUSING Metal/Aluminum
 IMPELLER Aluminum, Ø90mm
 BEARING Ball
 INSULATION Class A
 OPERATING TEMPERATURE 0°C to + 45°C
 OPERATING VOLTAGE RANGE 85 VAC to 125 VAC for 115V Type
 185 VAC to 245 VAC for 230V Type
 DIELECTRIC STRENGTH 1,500 VAC for 1 second
 INSULATION RESISTANCE 10M Ω min. @500 VDC
 SAFETY Thermally Protected
 MOTOR TYPE Capacitor Motor
 ROHS COMPLIANCE Yes
 IP LEVEL IP21 (Special IP Rating On Request)

90 mm

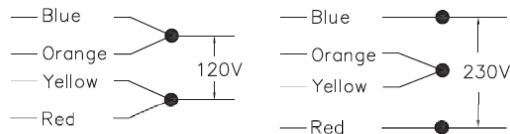
※FAN IS FOR HORIZONTAL USE ONLY※

DIMENSION



MODEL NO.	DIMENSION(mm)			WEIGHT (kg)
	A	B	C	
AFC90310	360	375	415	2.5
AFC90470	525	540	580	2.9
AFC90630	680	695	756	4.4
AFC90880	930	945	1005	4.7

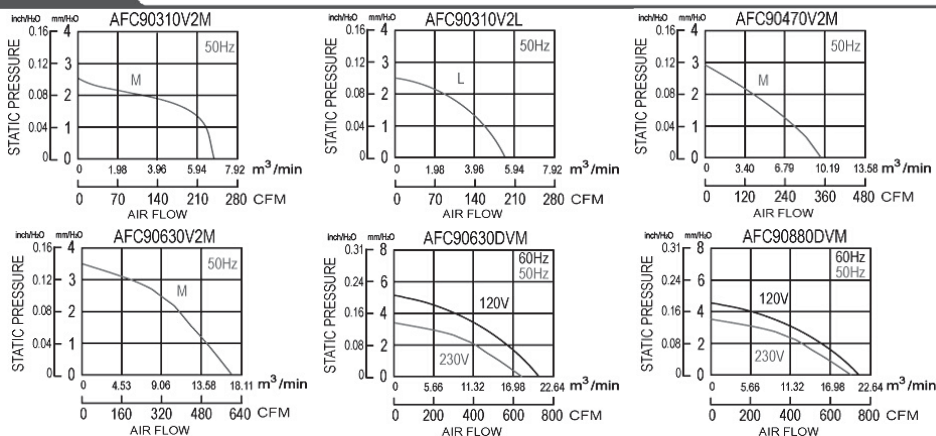
Dual Voltage Wire Diagram



SPECIFICATION

MODEL NO.	RATED VOLTAGE (V)	FREQUENCY (Hz)	RATED CURRENT (A)	INPUT POWER (W)	SPEED (RPM)	MAX. AIR PRESSURE		MAX. AIR FLOW		NOISE dB(A) @1M
						inch/H2O	mm/H2O	CFM	m3/min	
AFC90310V1M	120	50/60	0.29/0.32	32/37	1350/1550	0.09/0.13	2.3/3.4	204/233	5.8/6.6	47/53
AFC90310V2M	230	50	0.15	32	1350	0.09	2.3	205	5.8	47
AFC90470V1M	120	50/60	0.32/0.36	36/42	1200/1250	0.09/0.13	2.5/3.3	286/297	8.1/8.4	46/47
AFC90470V2M	230	50	0.16	34	1250	0.10	2.6	297	8.4	47
AFC90630V1M	120	60	0.70	78	1700	0.17	4.2	534	15.1	54
AFC90630V2M	230	50	0.40	64	1400	0.12	3.0	456	12.9	49
AFC90880V1M	120	60	0.82	93	1600	0.13	3.4	633	17.9	56
AFC90880V2M	230	50	0.43	73	1400	0.11	2.8	587	16.6	52

AIR PERFORMANCE

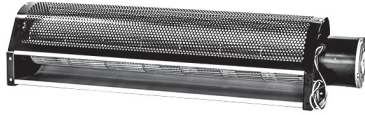


Cross Flow Fans



AFC 110

Ø110mm(Ø4.33")

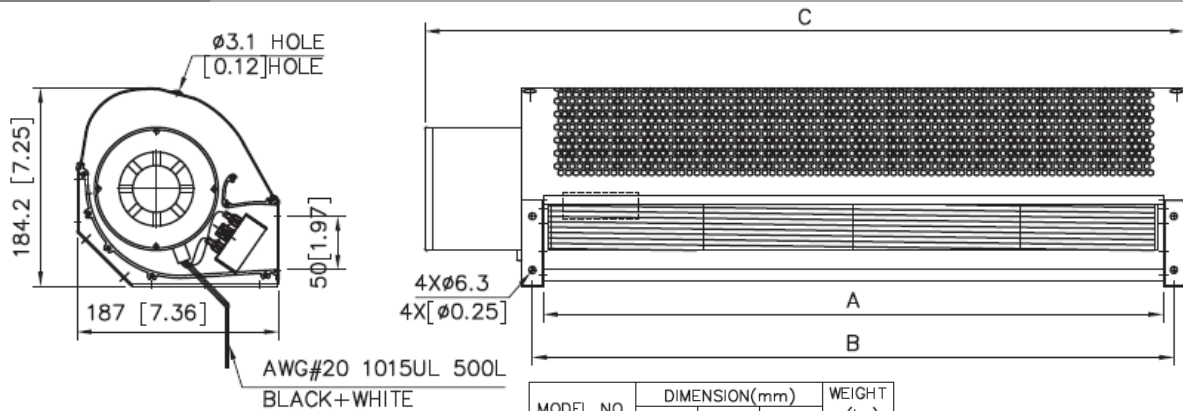


HOUSING	Metal/Aluminum
IMPELLER	Aluminum, Ø110mm
BEARING	Ball
INSULATION	Class A
OPERATING TEMPERATURE	0°C to + 45°C
OPERATING VOLTAGE RANGE	85 VAC to 125 VAC for 115V Type 185 VAC to 245 VAC for 230V Type
DIELECTRIC STRENGTH	1,500 VAC for 1 second
INSULATION RESISTANCE	10M Ω min. @500 VDC
SAFETY	Thermally Protected
MOTOR TYPE	Capacitor Motor
ROHS COMPLIANCE	Yes
IP LEVEL	IP21 (Special IP Rating On Request)

110 mm

※FAN IS FOR HORIZONTAL USE ONLY※

DIMENSION



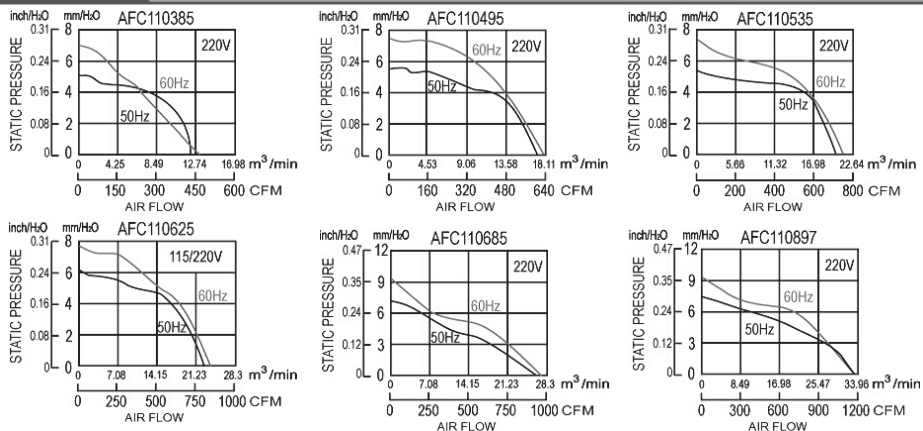
MODEL NO.	DIMENSION(mm)			WEIGHT (kg)
	A	B	C	
AFC110385	385	405	498	5.0
AFC110495	495	515	608	5.5
AFC110535	535	555	648	6.0
AFC110625	625	645	755	6.4
AFC110685	685	705	798	6.7
AFC110897	897	917	1010	8.1

UNIT:mm[inch]

SPECIFICATION

MODEL NO.	RATED VOLTAGE (V)	FREQUENCY (Hz)	RATED CURRENT (A)	INPUT POWER (W)	SPEED (RPM)	MAX. AIR PRESSURE		MAX. AIR FLOW		NOISE dB(A) @1M
						inch/H ₂ O	mm/H ₂ O	CFM	m ³ /min	
AFC110385V2HB	220	50/60	0.27/0.30	60/70	1100/1200	0.20/0.28	5.0/7.0	424/459	12/13	52/54
AFC110495V2HB	220	50/60	0.40/0.50	90/105	1200/1300	0.22/0.30	5.6/7.5	600/636	17/18	56/58
AFC110535V2HB	220	50/60	0.40/0.50	90/110	1200/1300	0.21/0.30	5.4/7.5	707/742	20/21	56/58
AFC110625V1HB	115	50/60	0.90/1.15	100/125	1250/1300	0.24/0.31	6.1/7.8	813/848	23/24	57/58
AFC110625V2HB	220	50/60	0.45/0.57	105/130	1250/1300	0.24/0.31	6.1/7.8	813/848	23/24	57/58
AFC110685V2HB	220	50/60	0.50/0.60	102/126	1200/1300	0.28/0.36	7.2/9.2	919/954	26/27	56/58
AFC110897V2HB	220	50/60	0.60/0.80	136/175	1200/1200	0.29/0.37	7.4/9.5	1166/1166	33/33	58/58

AIR PERFORMANCE

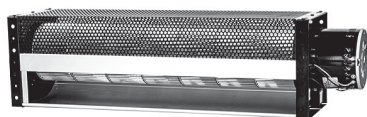


Please scan the



for our latest information or visit www.activa.com.tw

AFC 150 $\varnothing 150\text{mm}(\varnothing 5.91\text{'})$

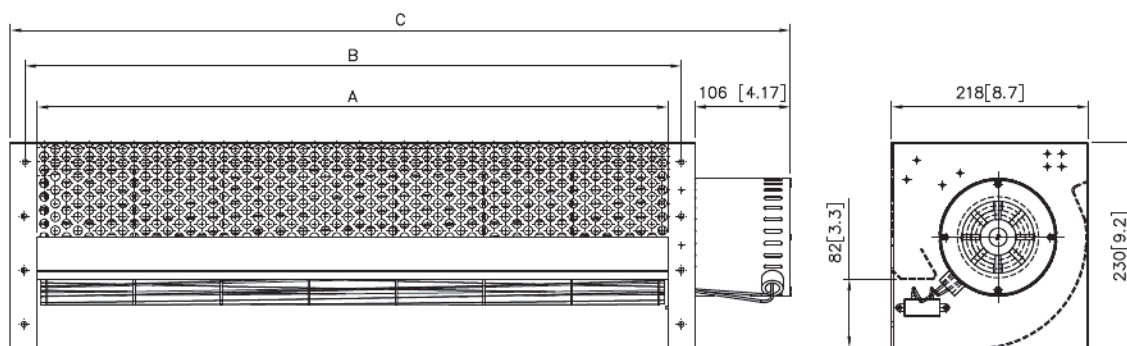


HOUSING	Metal/Aluminum
IMPELLER	Aluminum, $\varnothing 150\text{mm}$
BEARING	Ball
INSULATION	Class A
OPERATING TEMPERATURE	0°C to + 45°C
OPERATING VOLTAGE RANGE	85 VAC to 125 VAC for 115V Type 185 VAC to 245 VAC for 230V Type
DIELECTRIC STRENGTH	1,500 VAC for 1 second
INSULATION RESISTANCE	10M Ω min. @500 VDC
SAFETY	Thermally Protected
MOTOR TYPE	Capacitor Motor
ROHS COMPLIANCE	Yes
IP LEVEL	IP21 (Special IP Rating On Request)

150 mm

※FAN IS FOR HORIZONTAL USE ONLY※

DIMENSION



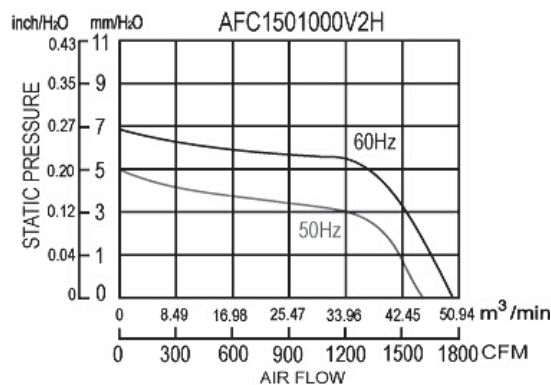
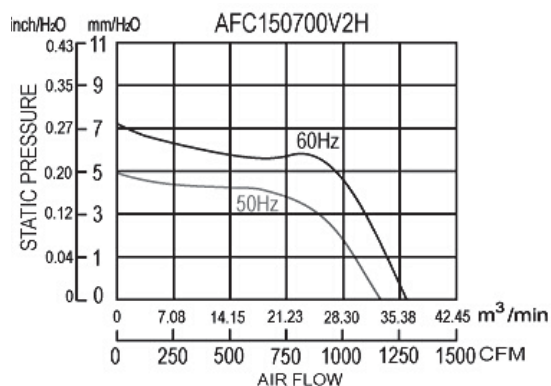
MODEL NO.	DIMENSION(mm)			WEIGHT (kg)
	A	B	C	
AFC150700V2H	700	730	866	13.6
AFC1501000V2H	1000	1030	1166	15.8

UNIT: mm[inch]

SPECIFICATION

MODEL NO.	RATED VOLTAGE (V)	FREQUENCY (Hz)	RATED CURRENT (A)	INPUT POWER (W)	SPEED (RPM)	MAX. AIR PRESSURE		MAX. AIR FLOW		NOISE dB(A) @1M
						inch/H ₂ O	mm/H ₂ O	CFM	m ³ /min	
AFC150700V2H	220	50/60	1.2/1.1	156/210	950/1150	0.20/0.28	5.0/7.2	1168/1274	33/36	59/63
AFC1501000V2H	220	50/60	1.3/1.3	190/265	900/1100	0.20/0.27	5.0/6.9	1593/1770	45/50	59/63

AIR PERFORMANCE



DF 25

Ø25mm(Ø0.99")

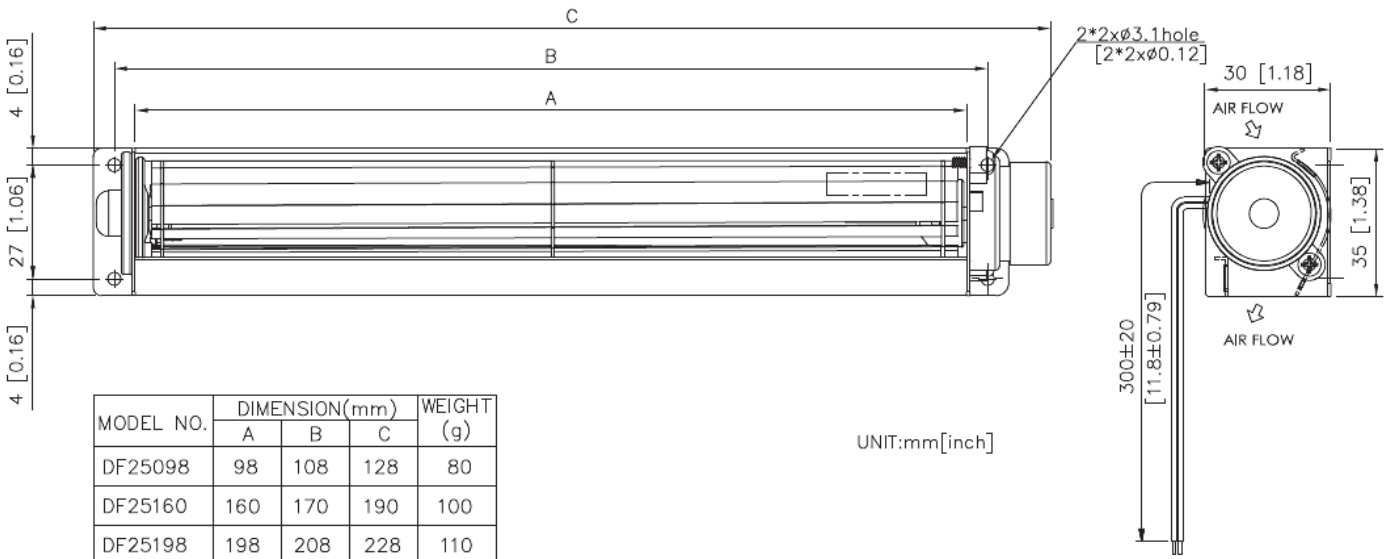


HOUSING	Meta/Aluminum
IMPELLER	Aluminum, Ø25mm
BEARING	Ball
OPERATING TEMPERATURE	0°C to + 45°C
DIELECTRIC STRENGTH	5mA Max. at 500 VAC for 1 minute
INSULATION RESISTANCE	10M Ω min. @500 VDC
MOTOR TYPE	DC Brushless Motor
ROHS COMPLIANCE	Yes
IP LEVEL	IP21 (Special IP Rating On Request)

※FAN IS FOR HORIZONTAL USE ONLY※

25 mm

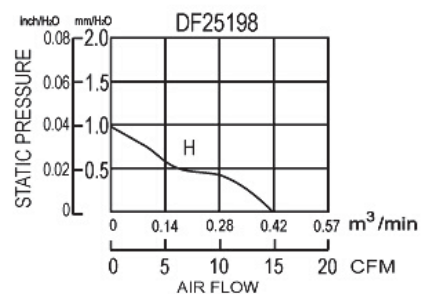
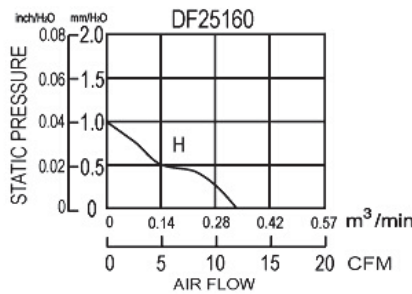
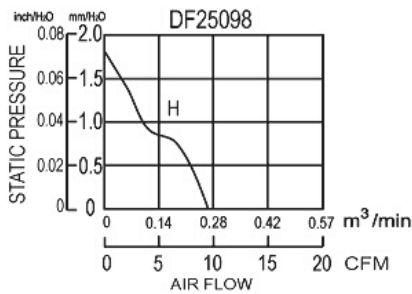
DIMENSION



SPECIFICATION

MODEL NO.	RATED VOLTAGE (V)	RATED CURRENT (A)	INPUT POWER (W)	SPEED (RPM)	MAX. AIR PRESSURE		MAX. AIR FLOW		NOISE dB(A) @1M
					inch/H2O	mm/H2O	CFM	m3/min	
DF25098V12H	12	0.1	1.2	4000	0.07	1.8	9	0.25	36
DF25160V12H	12	0.11	1.3	3400	0.04	1	12	0.35	39
DF25198V12H	12	0.12	1.4	3300	0.04	1	15	0.43	40

AIR PERFORMANCE



Please scan the



for our latest information or visit www.activa.com.tw

DF 30

Ø30mm(Ø1.18")

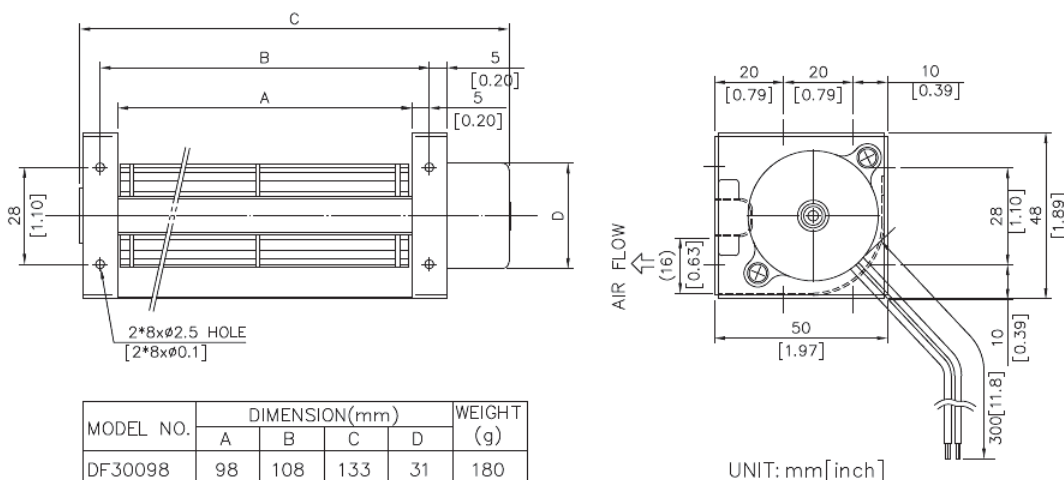


HOUSING Metal/Aluminum
 IMPELLER Aluminum, Ø30mm
 BEARING Ball
 OPERATING TEMPERATURE 0°C to + 45°C
 DIELECTRIC STRENGTH 5mA Max. at 500 VAC for 1 minute
 INSULATION RESISTANCE 10M Ω min. @500 VDC
 MOTOR TYPE DC Brushless Motor
 ROHS COMPLIANCE Yes
 IP LEVEL IP21 (Special IP Rating On Request)

※FAN IS FOR HORIZONTAL USE ONLY※

30 mm

DIMENSION

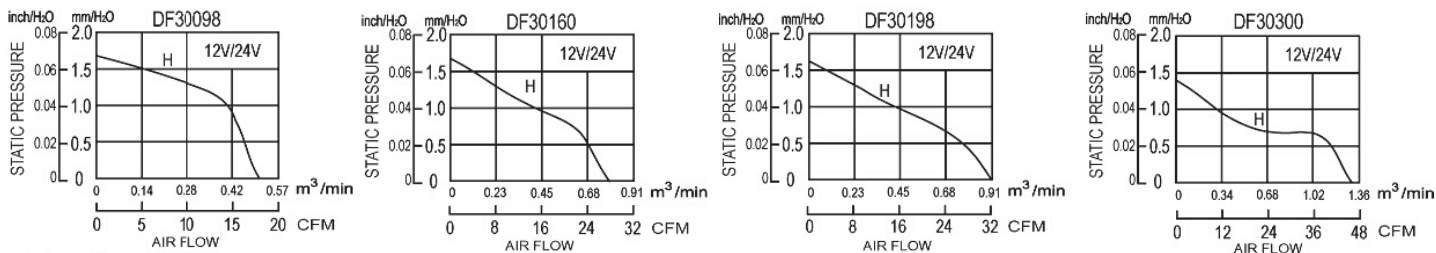


MODEL NO.	DIMENSION(mm)				WEIGHT (g)
	A	B	C	D	
DF30098	98	108	133	31	180
DF30160	160	170	195	31	210
DF30198	198	208	233	31	230
DF30300	300	310	335	31	290

SPECIFICATION

MODEL NO.	RATED VOLTAGE (V)	RATED CURRENT (A)	INPUT POWER (W)	SPEED (RPM)	MAX. AIR PRESSURE		MAX. AIR FLOW		NOISE dB(A) @1M
					inch/H ₂ O	mm/H ₂ O	CFM	m ³ /min	
DF30098V12H	12	0.16	1.92	3500	0.07	1.7	18	0.5	38
DF30098V24H	24	0.15	3.60	3500	0.07	1.7	18	0.5	38
DF30160V12H	12	0.20	2.40	3100	0.07	1.7	28	0.8	37
DF30160V24H	24	0.17	4.08	3100	0.07	1.7	28	0.8	37
DF30198V12H	12	0.23	2.76	2900	0.06	1.6	32	0.9	36
DF30198V24H	24	0.18	4.32	2900	0.06	1.6	32	0.9	36
DF30300V12H	12	0.27	3.24	2600	0.05	1.4	46	1.3	35
DF30300V24H	24	0.20	4.80	2600	0.05	1.4	46	1.3	35

AIR PERFORMANCE



Cross Flow Fans



DF 30A $\varnothing 30\text{mm}(\varnothing 1.18")$

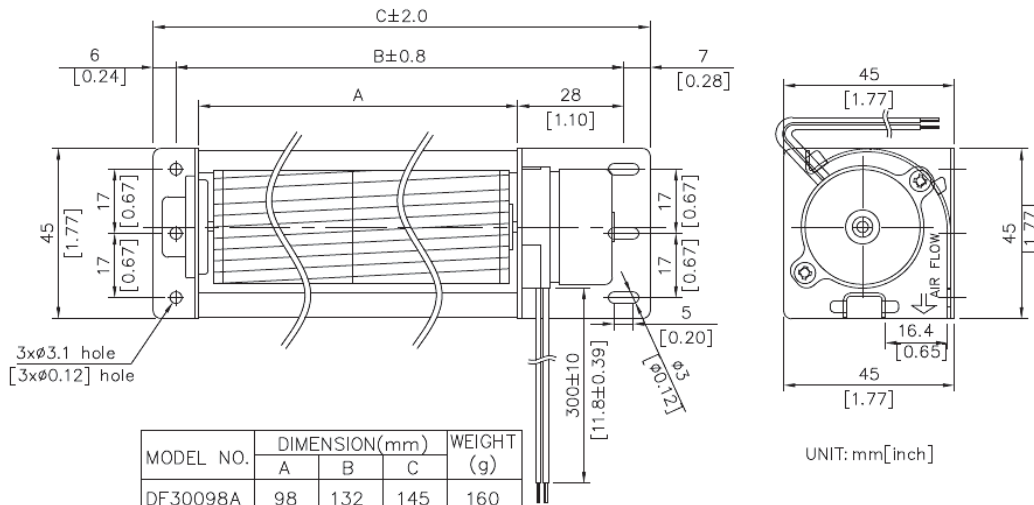


HOUSING	Meta/Aluminum
IMPELLER	Aluminum, $\varnothing 30\text{mm}$
BEARING	Ball
OPERATING TEMPERATURE	0°C to + 45°C
DIELECTRIC STRENGTH	5mA Max. at 500 VAC for 1 minute
INSULATION RESISTANCE	10M Ω min. @500 VDC
MOTOR TYPE	DC Brushless Motor
ROHS COMPLIANCE	Yes
IP LEVEL	IP21 (Special IP Rating On Request)

※FAN IS FOR HORIZONTAL USE ONLY※

30 mm

DIMENSION

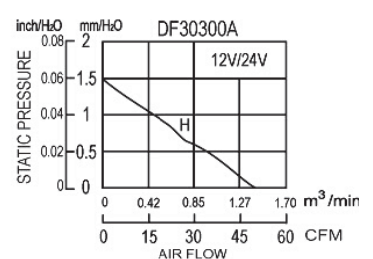
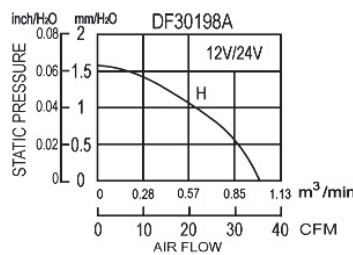
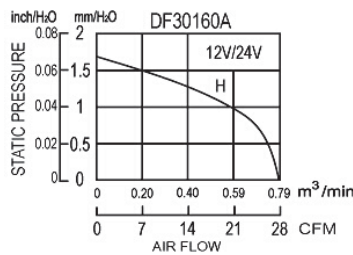
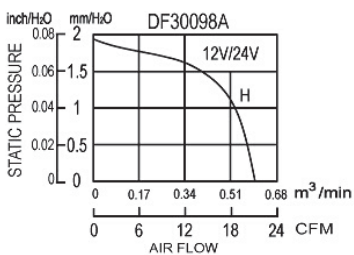


MODEL NO.	DIMENSION(mm)			WEIGHT (g)
	A	B	C	
DF30098A	98	132	145	160
DF30160A	160	194	207	190
DF30198A	198	232	245	210
DF30300A	300	334	347	290

SPECIFICATION

MODEL NO.	RATED VOLTAGE (V)	RATED CURRENT (A)	INPUT POWER (W)	SPEED (RPM)	MAX. AIR PRESSURE		MAX. AIR FLOW		NOISE dB(A) @1M
					inch/H ₂ O	mm/H ₂ O	CFM	m ³ /min	
DF30098V12HBA	12	0.15	1.8	3200	0.08	1.9	21	0.6	29
DF30160V12HBA	12	0.18	2.16	3100	0.07	1.7	28	0.8	30
DF30198V12HBA	12	0.2	2.4	2900	0.06	1.6	35	1	31
DF30300V12HBA	12	0.22	2.64	2600	0.06	1.5	49	1.3	33
DF30098V24HBA	24	0.15	3.6	3200	0.08	1.9	21	0.6	29
DF30160V24HBA	24	0.16	3.84	3100	0.07	1.7	28	0.8	30
DF30198V24HBA	24	0.16	3.84	2900	0.06	1.6	35	1	31
DF30300V24HBA	24	0.2	4.8	2600	0.06	1.5	49	1.3	33

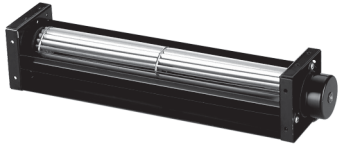
AIR PERFORMANCE



Cross Flow Fans



DF30-3P $\varnothing 30\text{mm}(\varnothing 1.18")$

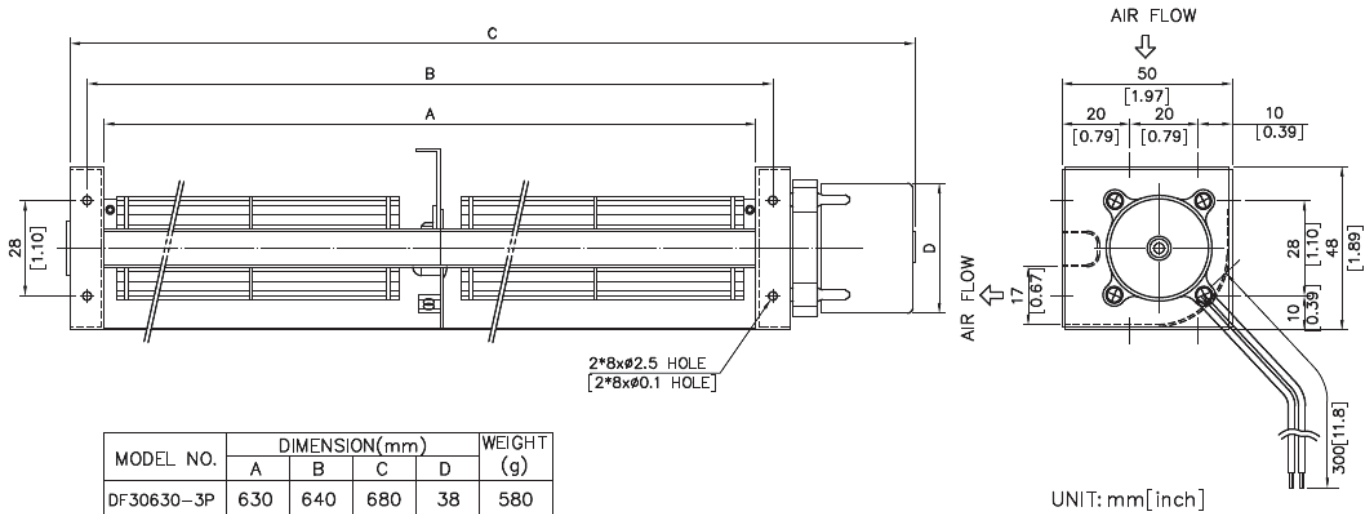


HOUSING: Metal/Aluminum
 IMPELLER: Aluminum, $\varnothing 30\text{mm}$
 BEARING: Ball
 OPERATING TEMPERATURE: 0°C to $+45^{\circ}\text{C}$
 DIELECTRIC STRENGTH: 5mA Max. at 500 VAC for 1 minute
 INSULATION RESISTANCE: $10\text{M } \Omega$ min. @500 VDC
 MOTOR TYPE: DC Brushless Motor
 ROHS COMPLIANCE: Yes
 IP LEVEL: IP21 (Special IP Rating On Request)

※FAN IS FOR HORIZONTAL USE ONLY※

30 mm

DIMENSION



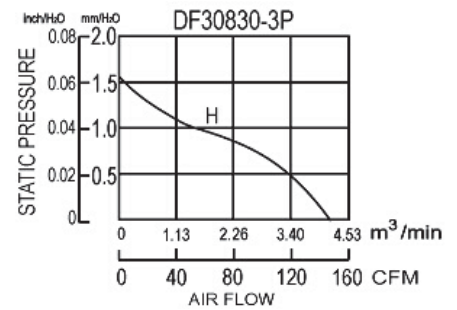
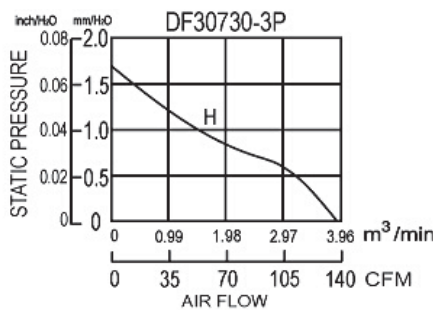
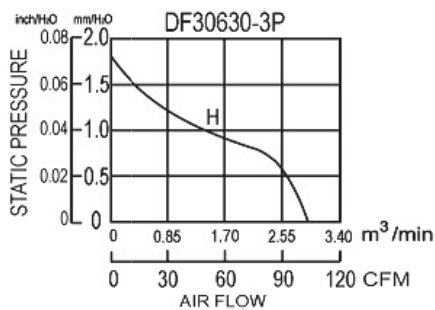
MODEL NO.	DIMENSION(mm)				WEIGHT (g)
	A	B	C	D	
DF30630-3P	630	640	680	38	580
DF30730-3P	730	740	780	38	630
DF30830-3P	830	840	880	38	690

UNIT: mm[inch]

SPECIFICATION

MODEL NO.	RATED VOLTAGE (V)	RATED CURRENT (A)	INPUT POWER (W)	SPEED (RPM)	MAX. AIR PRESSURE		MAX. AIR FLOW		NOISE dB(A)@1M
					inch/H ₂ O	mm/H ₂ O	CFM	m ³ /min	
DF30630V24HB-3P	24	0.220	5.28	2850	0.07	1.8	113.07	3.2	36
DF30730V24HB-3P	24	0.25	6.00	2750	0.067	1.7	137.81	3.9	35
DF30830V24HB-3P	24	0.28	6.72	2650	0.063	1.6	148.41	4.2	34

AIR PERFORMANCE



DF 40

Ø40mm(Ø1.58")

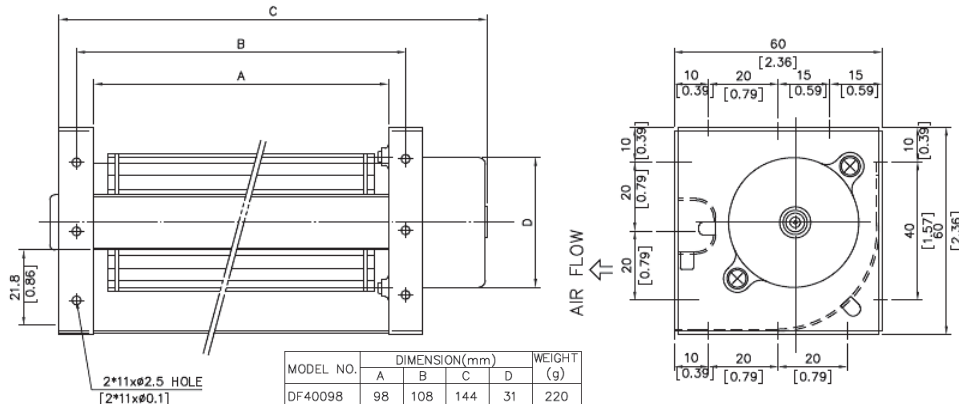


HOUSING	Meta/Aluminum
IMPELLER	Aluminum, Ø40mm
BEARING	Ball
OPERATING TEMPERATURE	0°C to + 45°C
DIELECTRIC STRENGTH	5mA Max. at 500 VAC for 1 minute
INSULATION RESISTANCE	10M Ω min. @500 VDC
MOTOR TYPE	DC Brushless Motor
ROHS COMPLIANCE	Yes
IP LEVEL	IP21 (Special IP Rating On Request)

※FAN IS FOR HORIZONTAL USE ONLY※

40 mm

DIMENSION



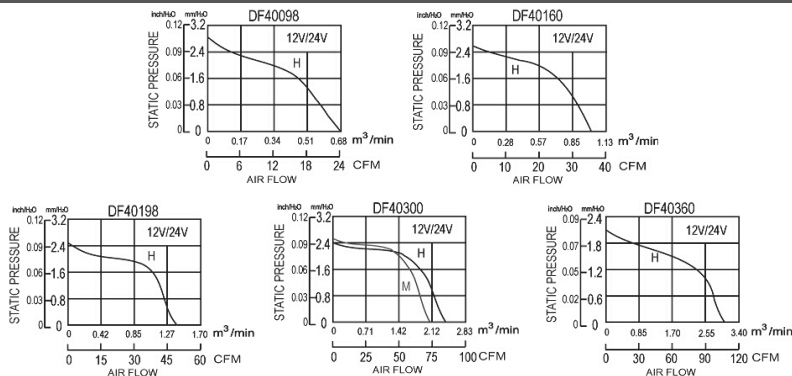
MODEL NO.	DIMENSION(mm)				WEIGHT (g)
	A	B	C	D	
DF40098	98	108	144	31	220
DF40160	160	170	206	31	260
DF40198	198	208	246	38	310
DF40300	300	310	348	38	410
DF40360	360	370	416	50	570

UNIT:mm[inch]

SPECIFICATION

MODEL NO.	RATED VOLTAGE (V)	RATED CURRENT (A)	INPUT POWER (W)	SPEED (RPM)	MAX. AIR PRESSURE		MAX. AIR FLOW		NOISE dB(A) @1M
					inch/H2O	mm/H2O	CFM	m3/min	
DF40098V12H	12	0.20	2.4	3000	0.11	2.9	24.0	0.7	33
DF40160V12H	12	0.25	3.0	2600	0.10	2.6	35.0	1.0	31
DF40198V12H	12	0.30	3.6	2500	0.10	2.5	49.0	1.4	33
DF40300V12H	12	0.45	5.4	2700	0.09	2.4	81.2	2.3	40
DF40300V12M	12	0.40	4.8	2300	0.10	2.5	74.0	2.1	33
DF40360V12H	12	0.60	7.2	2600	0.08	2.1	106.0	3.0	42
DF40098V24H	24	0.15	3.6	3000	0.11	2.9	24.0	0.7	33
DF40160V24H	24	0.20	4.8	2600	0.10	2.6	35.0	1.0	31
DF40198V24H	24	0.20	4.8	2500	0.10	2.5	49.0	1.4	33
DF40300V24H	24	0.35	8.4	2800	0.09	3.3	95.0	2.7	45
DF40300V24M	24	0.25	6.0	2300	0.08	2.0	74.0	2.1	33
DF40360V24H	24	0.40	9.6	2600	0.08	2.1	106.0	3.0	42

AIR PERFORMANCE



Please scan the



for our latest information or visit www.activa.com.tw

DF40-3P $\varnothing 40\text{mm}(\varnothing 1.58\text{'})$

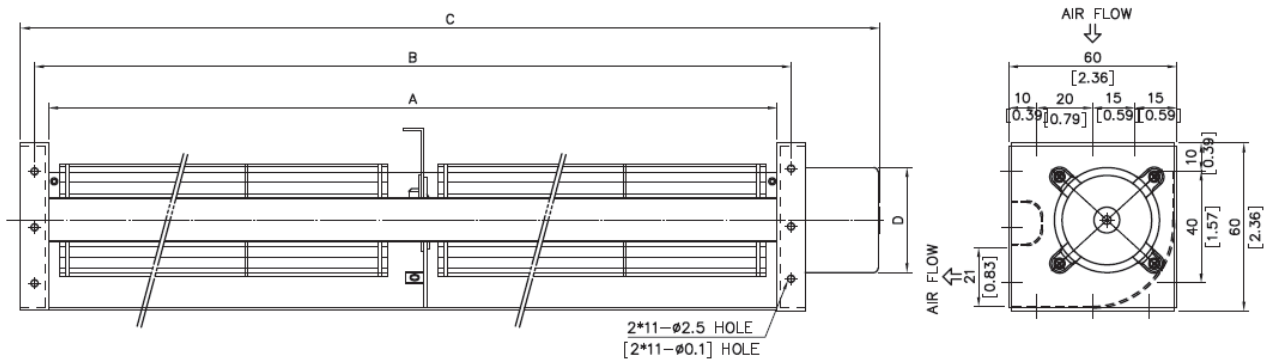


HOUSING Metal/Aluminum
 IMPELLER Aluminum, $\varnothing 40\text{mm}$
 BEARING Ball
 OPERATING TEMPERATURE 0°C to $+45^{\circ}\text{C}$
 DIELECTRIC STRENGTH 5mA Max. at 500 VAC for 1 minute
 INSULATION RESISTANCE $10\text{M } \Omega$ min. @500 VDC
 MOTOR TYPE DC Brushless Motor
 ROHS COMPLIANCE Yes
 IP LEVEL IP21 (Special IP Rating On Request)

※FAN IS FOR HORIZONTAL USE ONLY※

40 mm

DIMENSION



MODEL NO.	DIMENSION(mm)				WEIGHT(g)
	A	B	C	D	
DF40300-3P	300	310	340	38	440
DF40360-3P	360	370	400	38	470
DF40410-3P	410	420	450	38	510
DF40630-3P	630	640	660	38	690
DF40730-3P	730	740	760	38	770
DF40830-3P	830	840	860	38	830

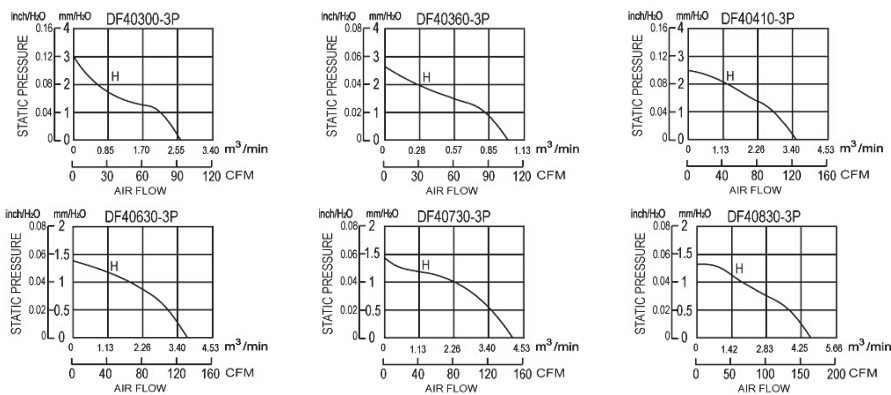
UNIT: mm[inch]

SPECIFICATION

MODEL NO.	RATED VOLTAGE (V)	RATED CURRENT (A)	INPUT POWER (W)	SPEED (RPM)	MAX. AIR PRESSURE		MAX. AIR FLOW		NOISE dB(A) @1M
					inch/H ₂ O	mm/H ₂ O	CFM	m ³ /min	
DF40300V24HB-3P	24	0.30	7.20	2600	0.118	3.0	91.87	2.6	39
DF40360V24HB-3P	24	0.32	7.68	2450	0.105	2.6	106	3.0	38
DF40410V24HB-3P	24	0.34	8.16	2300	0.098	2.5	123.67	3.5	37
⊙DF40630V24HB-3P	24	0.26	6.24	1800	0.055	1.4	130.74	3.7	39
⊙DF40730V24HB-3P	24	0.27	6.48	1750	0.055	1.4	148.41	4.2	38
⊙DF40830V24HB-3	24	0.28	6.72	1600	0.051	1.3	162.54	4.6	37

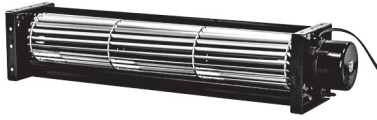
⊙ : Double impeller

AIR PERFORMANCE



DF 43

Ø43mm(Ø1.69")

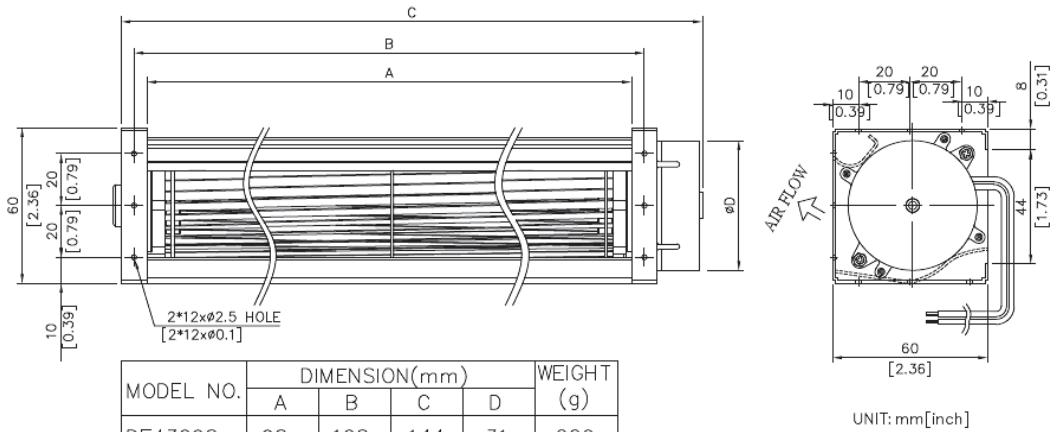


HOUSING	Meta/Aluminum
IMPELLER	Aluminum, Ø43mm
BEARING	Ball
OPERATING TEMPERATURE	0°C to + 45°C
DIELECTRIC STRENGTH	5mA Max. at 500 VAC for 1 minute
INSULATION RESISTANCE	10M Ω min. @500 VDC
MOTOR TYPE	DC Brushless Motor
ROHS COMPLIANCE	Yes
IP LEVEL	IP21 (Special IP Rating On Request)

※FAN IS FOR HORIZONTAL USE ONLY※

43 mm

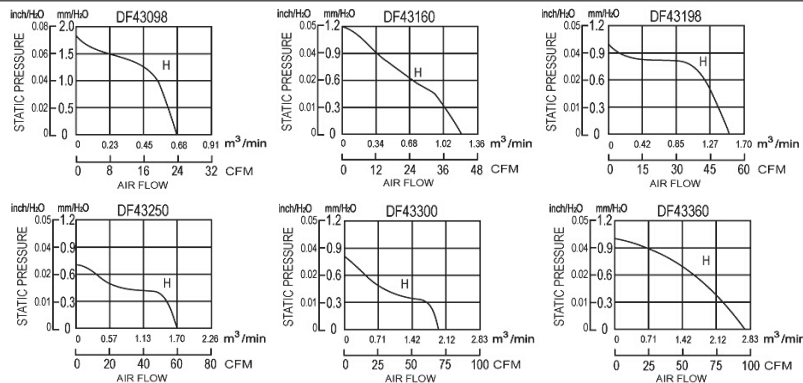
DIMENSION



SPECIFICATION

MODEL NO.	RATED VOLTAGE (V)	RATED CURRENT (A)	INPUT POWER (W)	SPEED (RPM)	MAX. AIR PRESSURE		MAX. AIR FLOW		NOISE dB(A) @1M
					inch/H2O	mm/H2O	CFM	m3/min	
DF43098V12H	12	0.22	2.64	2800	0.07	1.8	24	0.7	36
DF43098V24H	24	0.18	4.32	2800	0.07	1.8	24	0.7	36
DF43160V12H	12	0.35	4.20	2500	0.05	1.2	42	1.2	37
DF43160V24H	24	0.20	4.80	2500	0.05	1.2	42	1.2	37
DF43198V12H	12	0.35	4.20	2400	0.04	1.0	53	1.5	39
DF43198V24H	24	0.20	4.80	2400	0.04	1.0	53	1.5	39
DF43250V12H	12	0.42	5.04	2200	0.03	0.7	60	1.7	34
DF43250V24H	24	0.22	5.28	2200	0.03	0.7	60	1.7	34

AIR PERFORMANCE



Please scan the



for our latest information or visit www.activa.com.tw

DF 43-3P

Ø43mm(Ø1.69")

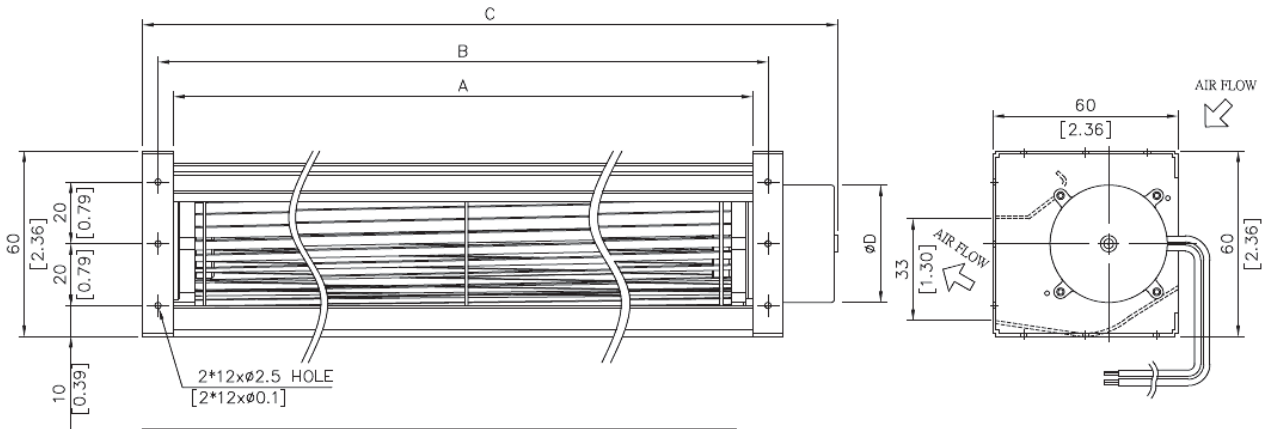


HOUSING: Metal/Aluminum
 IMPELLER: Aluminum, Ø43mm
 BEARING: Ball
 OPERATING TEMPERATURE: 0°C to + 45°C
 DIELECTRIC STRENGTH: 5mA Max. at 500 VAC for 1 minute
 INSULATION RESISTANCE: 10M Ω min. @500 VDC
 MOTOR TYPE: DC Brushless Motor
 ROHS COMPLIANCE: Yes
 IP LEVEL: IP21 (Special IP Rating On Request)

※FAN IS FOR HORIZONTAL USE ONLY※

43 mm

DIMENSION



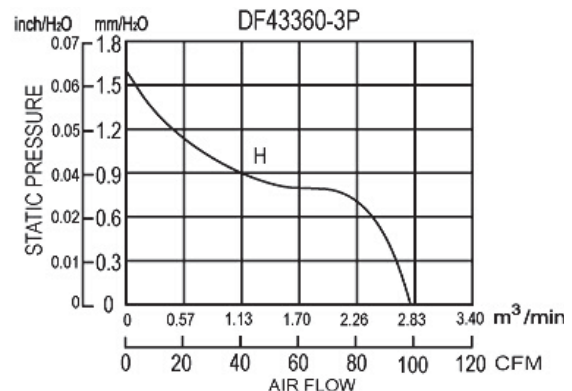
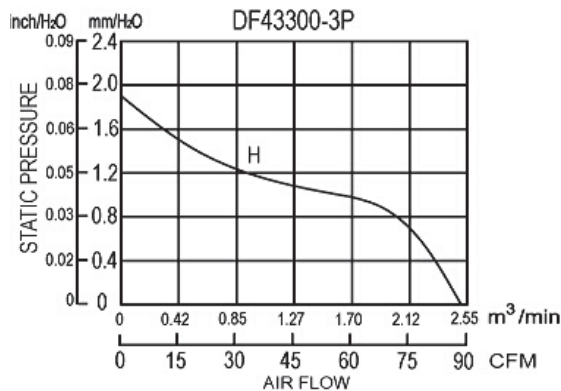
MODEL NO.	DIMENSION(mm)				WEIGHT (g)
	A	B	C	D	
DF43300	300	310	340	38	420
DF43360	360	370	400	38	440

UNIT: mm[inch]

SPECIFICATION

MODEL NO.	RATED VOLTAGE (V)	RATED CURRENT (A)	INPUT POWER (W)	SPEED (RPM)	MAX. AIR PRESSURE		MAX. AIR FLOW		NOISE dB(A) @1M
					inch/H ₂ O	mm/H ₂ O	CFM	m ³ /min	
DF43300V24HB-3P	24	0.33	7.92	2500	0.075	1.9	88.34	2.5	37
DF43360V24HB-3P	24	0.35	8.40	2400	0.063	1.6	98.94	2.8	37

AIR PERFORMANCE



DFQ 43-3P $\varnothing 43\text{mm}(\varnothing 1.69\text{'})$

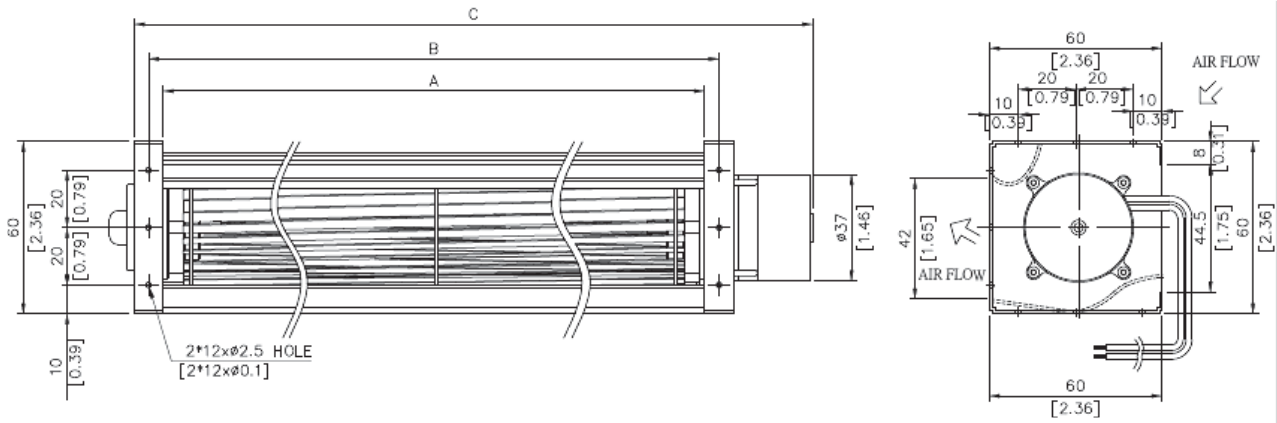


HOUSING	Metal/Aluminum
IMPELLER	Aluminum, $\varnothing 30\text{mm}$
BEARING	Ball
OPERATING TEMPERATURE	0°C to + 45°C
DIELECTRIC STRENGTH	5mA Max. at 500 VAC for 1 minute
INSULATION RESISTANCE	10M Ω min. @500 VDC
MOTOR TYPE	DC Brushless Motor
ROHS COMPLIANCE	Yes
IP LEVEL	IP21 (Special IP Rating On Request)

※FAN IS FOR HORIZONTAL USE ONLY※

43 mm

DIMENSION



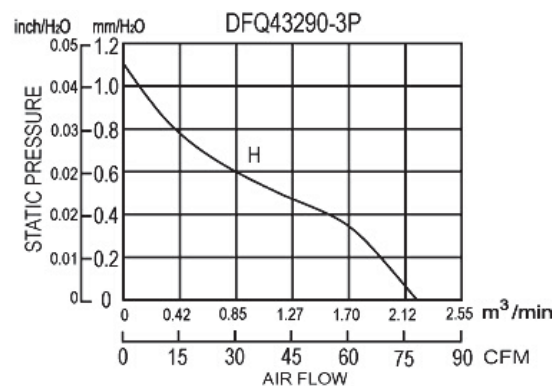
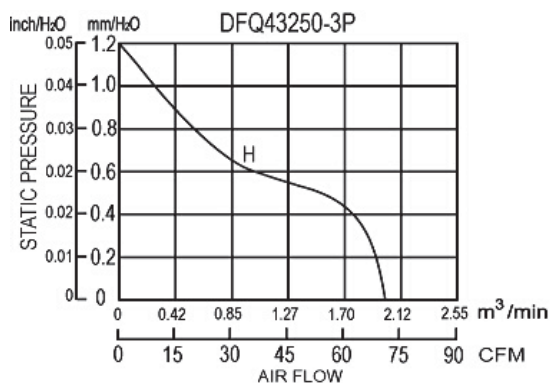
MODEL NO.	DIMENSION(mm)			WEIGHT (g)
	A	B	C	
DFQ43250-3P	250	260	297	340
DFQ43290-3P	290	300	337	370

UNIT: mm[inch]

SPECIFICATION

MODEL NO.	RATED VOLTAGE (V)	RATED CURRENT (A)	INPUT POWER (W)	SPEED (RPM)	MAX. AIR PRESSURE		MAX. AIR FLOW		NOISE dB(A) @1M
					inch/H ₂ O	mm/H ₂ O	CFM	m ³ /min	
DFQ43250V24HB-3P	24	0.26	6.24	2500	0.047	1.2	70.67	2.0	36
DFQ43290V24HB-3P	24	0.25	6.00	2700	0.043	1.1	77.74	2.2	38

AIR PERFORMANCE



DF45-3P $\varnothing 45\text{mm}(\varnothing 1.77")$

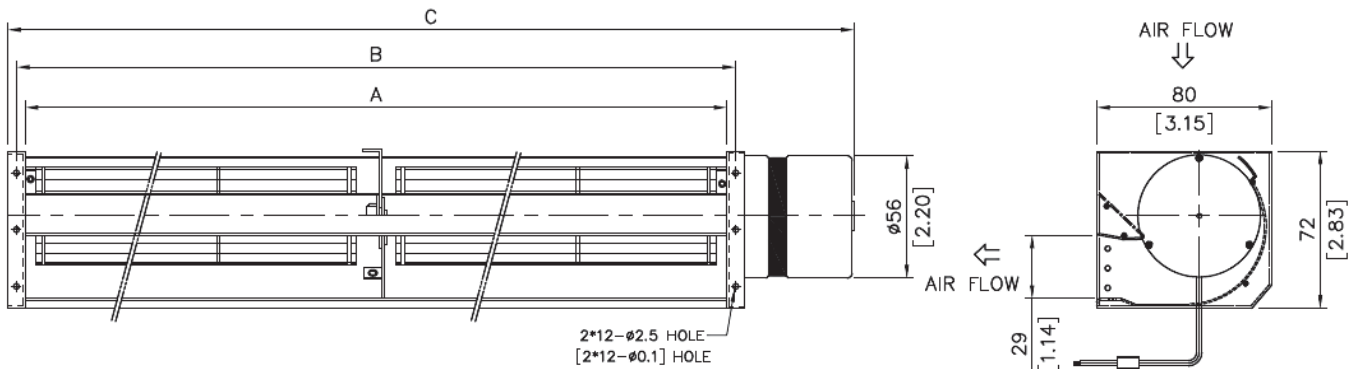


HOUSING Metal/Aluminum
 IMPELLER Aluminum, $\varnothing 45\text{mm}$
 BEARING Ball
 OPERATING TEMPERATURE 0°C to $+45^{\circ}\text{C}$
 DIELECTRIC STRENGTH 5mA Max. at 500 VAC for 1 minute
 INSULATION RESISTANCE $10\text{M } \Omega$ min. @500 VDC
 MOTOR TYPE DC Brushless Motor
 ROHS COMPLIANCE Yes
 IP LEVEL IP21 (Special IP Rating On Request)

※FAN IS FOR HORIZONTAL USE ONLY※

45 mm

DIMENSION



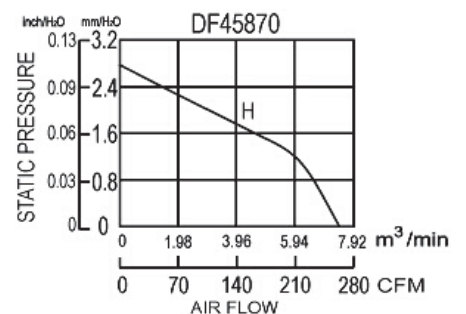
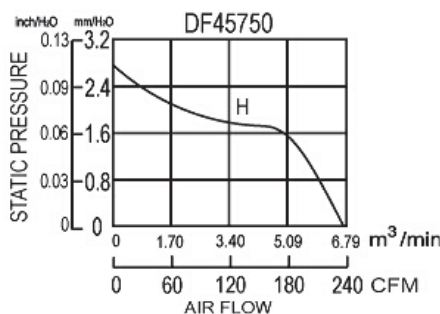
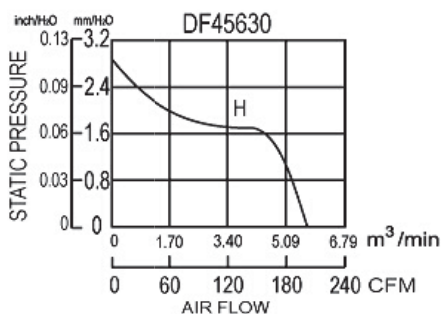
MODEL NO.	DIMENSION(mm)			WEIGHT (Kg)
	A	B	C	
DF45630-3P	630	640	685	1.10
DF45750-3P	750	760	805	1.25
DF45870-3P	870	880	925	1.35

UNIT: mm[inch]

SPECIFICATION

MODEL NO.	RATED VOLTAGE (V)	RATED CURRENT (A)	INPUT POWER (W)	SPEED (RPM)	MAX. AIR PRESSURE		MAX. AIR FLOW		NOISE dB(A) @1M
					inch/H ₂ O	mm/H ₂ O	CFM	m ³ /min	
DF45630V24HB-3P	24	0.55	13.20	1950	0.114	2.9	201.41	5.7	46
DF45750V24HB-3P	24	0.59	14.16	1850	0.110	2.8	236.75	6.7	45
DF45870V24HB-3P	24	0.63	15.12	1800	0.11	2.8	265.02	7.5	45

AIR PERFORMANCE



DFG 45-3P $\varnothing 45\text{mm}(\varnothing 1.77")$

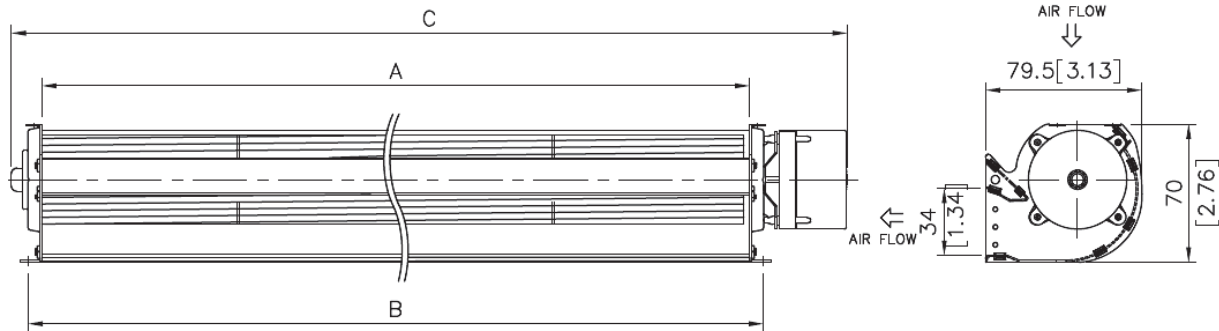


HOUSING: Metal/Aluminum
 IMPELLER: Aluminum, $\varnothing 45\text{mm}$
 BEARING: Ball
 OPERATING TEMPERATURE: 0°C to $+45^{\circ}\text{C}$
 DIELECTRIC STRENGTH: 5mA Max. at 500 VAC for 1 minute
 INSULATION RESISTANCE: $10\text{M } \Omega$ min. @500 VDC
 MOTOR TYPE: DC Brushless Motor
 ROHS COMPLIANCE: Yes
 IP LEVEL: IP21 (Special IP Rating On Request)

※FAN IS FOR HORIZONTAL USE ONLY※

45 mm

DIMENSION



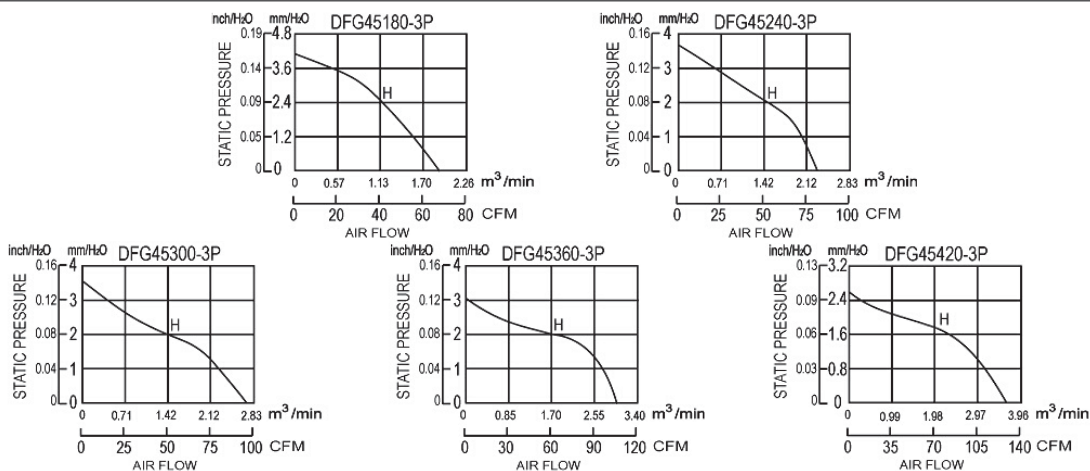
MODEL NO.	DIMENSION(mm)			WEIGHT (g)
	A	B	C	
DFG45180-3P	180	194	250	450
DFG45240-3P	240	254	300	530
DFG45300-3P	300	314	360	610
DFG45360-3P	360	374	430	690
DFG45420-3P	420	434	490	770

UNIT: mm[inch]

SPECIFICATION

MODEL NO.	RATED VOLTAGE (V)	RATED CURRENT (A)	INPUT POWER (W)	SPEED (RPM)	MAX. AIR PRESSURE		MAX. AIR FLOW		NOISE dB(A) @1M
					inch/H ₂ O	mm/H ₂ O	CFM	m ³ /min	
DFG45180V24HB-3P	24	0.230	5.52	2000	0.161	4.1	67.14	1.9	46
DFG45240V24HB-3P	24	0.24	5.76	1800	0.146	3.7	81.27	2.3	45
DFG45300V24HB-3P	24	0.27	6.48	1700	0.142	3.6	95.41	2.7	44
DFG45360V24HB-3P	24	0.29	6.96	1600	0.122	3.1	113.07	3.2	43
DFG45420V24HB-3P	24	0.3	7.20	1500	0.102	2.6	127.21	3.6	42

AIR PERFORMANCE



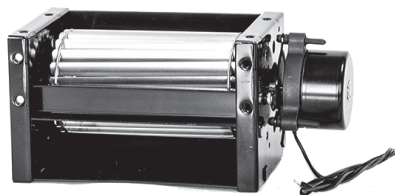
Please scan the



for our latest information or visit www.activa.com.tw

DF 50

Ø40mm(Ø1.58")

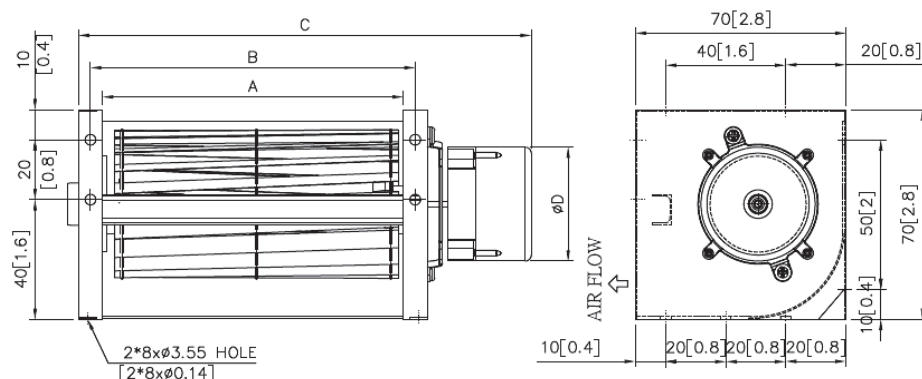


HOUSING Metal/Aluminum
 IMPELLER Aluminum, Ø50mm
 BEARING Ball
 OPERATING TEMPERATURE 0°C to + 45°C
 DIELECTRIC STRENGTH 5mA Max. at 500 VAC for 1 minute
 INSULATION RESISTANCE 10M Ω min. @500 VDC
 MOTOR TYPE DC Brushless Motor
 ROHS COMPLIANCE Yes
 IP LEVEL IP21 (Special IP Rating On Request)

※FAN IS FOR HORIZONTAL USE ONLY※

50 mm

DIMENSION



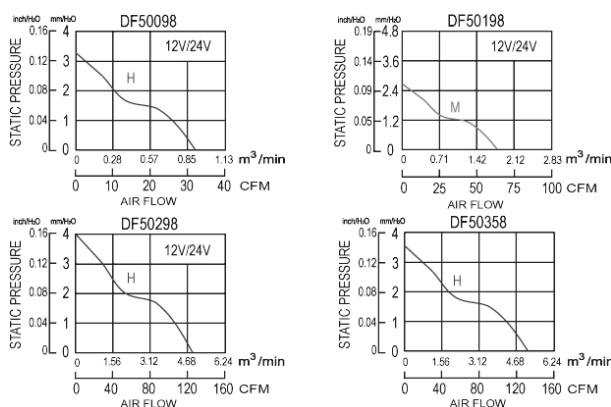
MODEL NO.	DIMENSION(mm)				WEIGHT (g)
	A	B	C	D	
DF50098	98	108	155	38	330
DF50198H	198	208	265	50	600
DF50198M	198	208	255	38	450
DF50298	298	308	360	50	700
DF50358	358	368	420	50	770

UNIT:mm[inch]

SPECIFICATION

MODEL NO.	RATED VOLTAGE (V)	RATED CURRENT (A)	INPUT POWER (W)	SPEED (RPM)	MAX. AIR PRESSURE		MAX. AIR FLOW		NOISE dB(A) 50cm
					inch/H2O	mm/H2O	CFM	m ³ /min	
DF50098V12H	12	0.3	3.6	2800	0.13	3.3	32	0.9	36
DF50098V24H	24	0.18	4.32	2800	0.13	3.3	32	0.9	36
DF50198V12M	12	0.47	5.64	2000	0.1	2.6	63	1.8	34
DF50198V24M	24	0.24	5.76	2000	0.1	2.6	63	1.8	34
DF50298V12H	12	0.65	7.8	2400	0.16	4	124	3.5	43
DF50298V24H	24	0.4	9.6	2400	0.16	4	124	3.5	43
DF50358V12H	12	0.75	9	2300	0.14	3.6	131	3.7	42
DF50358V24H	24	0.45	10.8	2300	0.14	3.6	131	3.7	42

AIR PERFORMANCE



DF50-3P $\varnothing 50\text{mm}(\varnothing 1.97\text{'})$

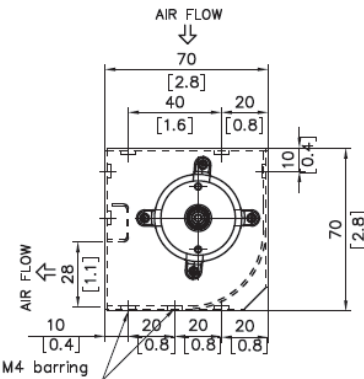
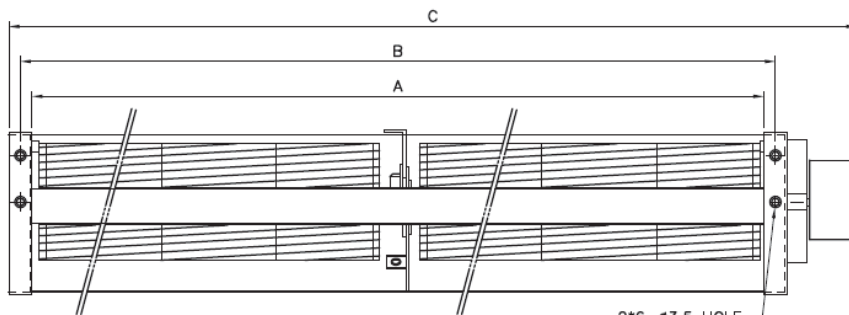


HOUSING	Metal/Aluminum
IMPELLER	Aluminum, $\varnothing 50\text{mm}$
BEARING	Ball
OPERATING TEMPERATURE	0°C to +45°C
DIELECTRIC STRENGTH	5mA Max. at 500 VAC for 1 minute
INSULATION RESISTANCE	10M Ω min. @500 VDC
MOTOR TYPE	DC Brushless Motor
ROHS COMPLIANCE	Yes
IP LEVEL	IP21 (Special IP Rating On Request)

※FAN IS FOR HORIZONTAL USE ONLY※

50 mm

DIMENSION



MODEL NO.	DIMENSION(mm)				WEIGHT (g)
	A	B	C	D	
DF50098-3P	98	108	148	38	370
DF50198-3P	198	208	248	38	470
DF50298-3P	298	308	348	38	590
DF50358-3P	358	368	408	38	660
DF50428-3P	428	438	478	38	730
DF50610-3P	610	620	665	56	1030
DF50730-3P	730	740	785	56	1140
DF50870-3P	870	880	925	56	1250

2*6- $\varnothing 3.5$ HOLE
[2*6- $\varnothing 0.13$] HOLE

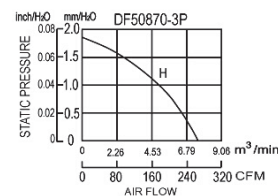
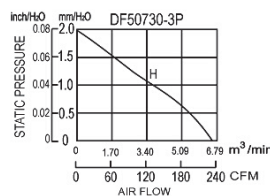
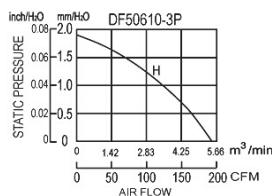
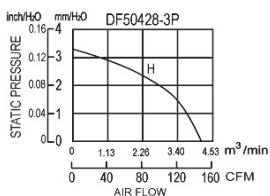
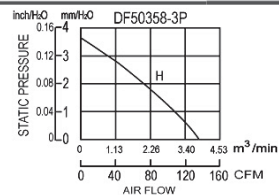
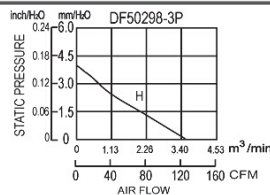
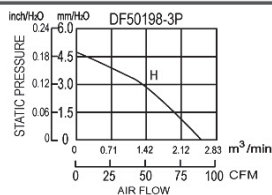
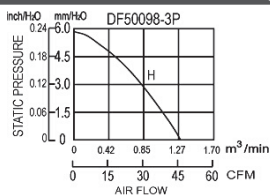
UNIT:mm[inch]

SPECIFICATION

MODEL NO.	RATED VOLTAGE (V)	RATED CURRENT (A)	INPUT POWER (W)	SPEED (RPM)	MAX. AIR PRESSURE		MAX. AIR FLOW		NOISE dB(A) @1M
					inch/H2O	mm/H2O	CFM	m3/min	
DF50098V24HB-3P	24	0.13	3.12	2600	0.232	5.9	45.94	1.3	37
DF50198V24HB-3P	24	0.31	7.44	2500	0.185	4.7	88.34	2.5	43
DF50298V24HB-3P	24	0.35	8.40	2200	0.169	4.3	123.67	3.5	44
DF50358V24HB-3P	24	0.26	6.24	1800	0.146	3.7	134.28	3.8	36
DF50428V24HB-3P	24	0.27	6.48	1700	0.13	3.3	148.41	4.2	35
DF50610V24HB-3P	24	0.44	10.56	1900	0.075	1.9	190.67	5.4	42
⊙DF50730V24HB-3P	24	0.47	11.28	1900	0.079	2.0	222.45	6.3	42
⊙DF50870V24HB-3P	24	0.52	12.48	1800	0.071	1.8	254.23	7.2	42

⊙ : Double impeller

AIR PERFORMANCE



Please scan the



for our latest information or visit www.activa.com.tw

DFM 50-3P $\varnothing 50\text{mm}(\varnothing 1.97\text{'})$

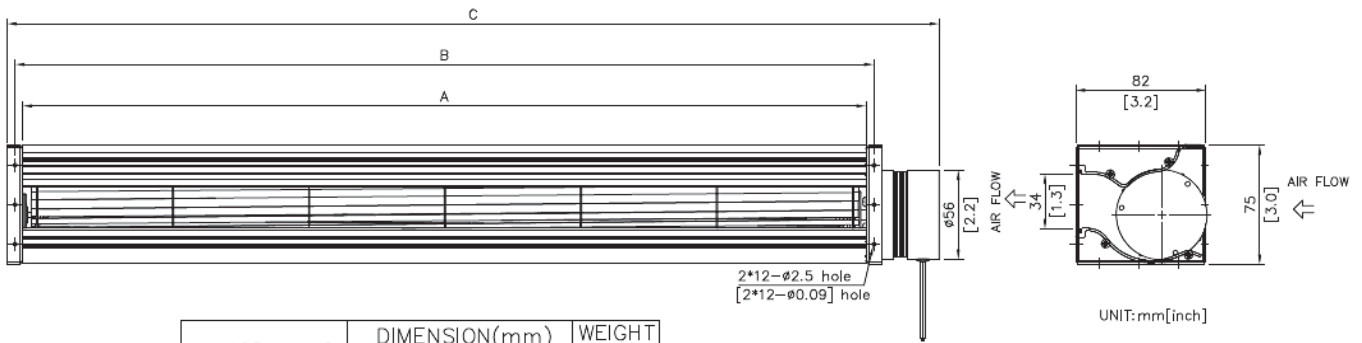


HOUSING: Metal/Aluminum
 IMPELLER: Aluminum, $\varnothing 50\text{mm}$
 BEARING: Ball
 OPERATING TEMPERATURE: 0°C to $+45^{\circ}\text{C}$
 DIELECTRIC STRENGTH: 5mA Max. at 500 VAC for 1 minute
 INSULATION RESISTANCE: $10\text{M } \Omega$ min. @500 VDC
 MOTOR TYPE: DC Brushless Motor
 ROHS COMPLIANCE: Yes
 IP LEVEL: IP21 (Special IP Rating On Request)

※FAN IS FOR HORIZONTAL USE ONLY※

50 mm

DIMENSION

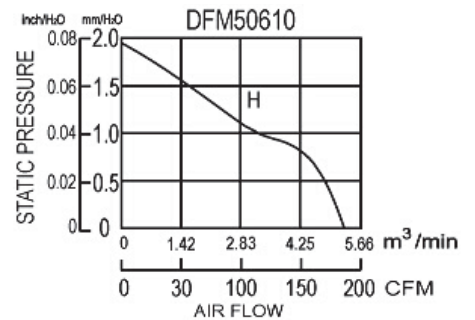
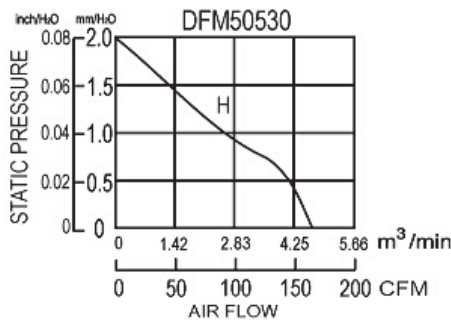
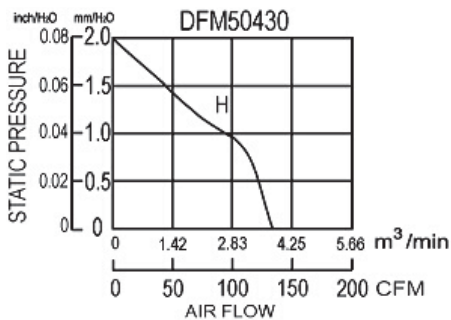


MODEL NO.	DIMENSION(mm)			WEIGHT (g)
	A	B	C	
DFM50430-3P	430	440	486	1000
DFM50530-3P	530	540	586	1100
DFM50610-3P	610	620	666	1200

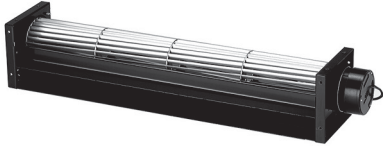
SPECIFICATION

MODEL NO.	RATED VOLTAGE (V)	RATED CURRENT (A)	INPUT POWER (W)	SPEED (RPM)	MAX. AIR PRESSURE		MAX. AIR FLOW		NOISE dB(A) @1M
					inch/H2O	mm/H2O	CFM	m3/min	
DFM50430V24HB-3P	24	0.46	11.04	2800	0.08	2.0	134.3	3.8	43
DFM50530V24HB-3P	24	0.49	11.76	2750	0.08	2.0	162.5	4.6	43
DFM50610V24HB-3P	24	0.55	13.20	2700	0.07	1.9	183.7	5.2	42

AIR PERFORMANCE



DF60-3P $\varnothing 60\text{mm}(\varnothing 2.36\text{'})$

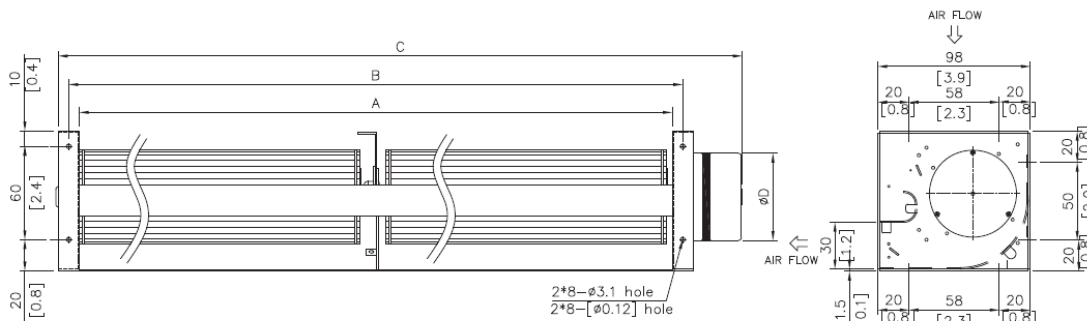


HOUSING: Meta/Aluminum
 IMPELLER: Aluminum, $\varnothing 60\text{mm}$
 BEARING: Ball
 OPERATING TEMPERATURE: 0°C to $+45^{\circ}\text{C}$
 DIELECTRIC STRENGTH: 5mA Max. at 500 VAC for 1 minute
 INSULATION RESISTANCE: 10M Ω min. @500 VDC
 MOTOR TYPE: DC Brushless Motor
 ROHS COMPLIANCE: Yes
 IP LEVEL: IP21 (Special IP Rating On Request)

※FAN IS FOR HORIZONTAL USE ONLY※

60 mm

DIMENSION



MODEL NO.	DIMENSION(mm)				WEIGHT (g)
	A	B	C	D	
DF60124-3P	124	139	169	38	500
DF60184-3P	184	199	229	38	580
DF60245-3P	245	260	305	56	850
DF60306-3P	306	321	366	56	930
DF60368-3P	368	383	428	56	1000
DF60429-3P	429	444	489	56	1080
DF60610-3P	610	625	693	56	1440
DF60750-3P	750	725	793	56	1550
DF60870-3P	870	885	953	56	1740

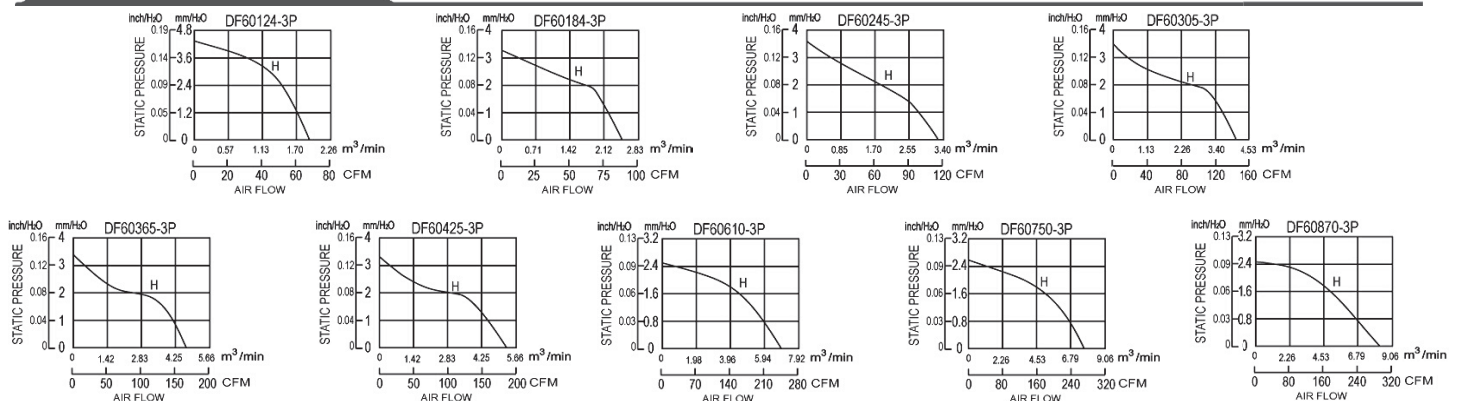
UNIT: mm[inch]

SPECIFICATION

MODEL NO.	RATED VOLTAGE (V)	RATED CURRENT (A)	INPUT POWER (W)	SPEED (RPM)	MAX. AIR PRESSURE		MAX. AIR FLOW		NOISE dB(A) @1M
					inch/H ₂ O	mm/H ₂ O	CFM	m ³ /min	
DF60124V24HB-3P	24	0.35	8.40	2500	0.17	4.4	67.14	1.9	49
DF60184V24HB-3P	24	0.40	9.60	2200	0.13	3.2	88.34	2.5	45
DF60245V24HB-3P	24	0.42	10.08	2100	0.14	3.6	116.61	3.3	44
DF60306V24HB-3P	24	0.46	11.04	2000	0.14	3.5	144.88	4.1	43
DF60368V24HB-3P	24	0.51	12.24	1950	0.13	3.4	166.08	4.7	43
DF60429V24HB-3P	24	0.53	12.72	1900	0.13	3.3	187.28	5.3	43
DF60530V24HB-3P	24	1.07	25.68	2250	0.16	4.1	289.75	8.2	53
DF60530V24LB-3P	24	0.58	13.92	1750	0.11	2.8	219.08	6.2	43
DF60610V24HB-3P	24	1.13	27.12	2200	0.16	4.0	325.09	9.2	53
DF60610V24LB-3P	24	0.64	15.36	1650	0.11	2.7	247.35	7.0	43
DF60710V24HB-3P	24	1.20	28.80	2100	0.15	3.7	360.42	10.2	52
DF60710V24LB-3P	24	0.68	16.32	1600	0.09	2.3	279.15	7.9	42
◎DF60870V24HB-3P	24	1.20	28.80	2000	0.14	3.5	402.83	11.4	50

◎: Double impeller

AIR PERFORMANCE



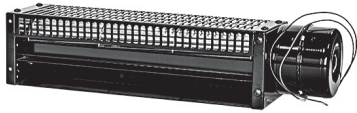
Please scan the



for our latest information or visit www.activa.com.tw

DFB 60L-3P

Ø60mm(Ø2.36")

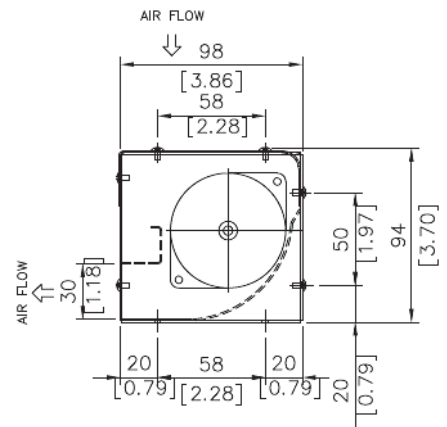
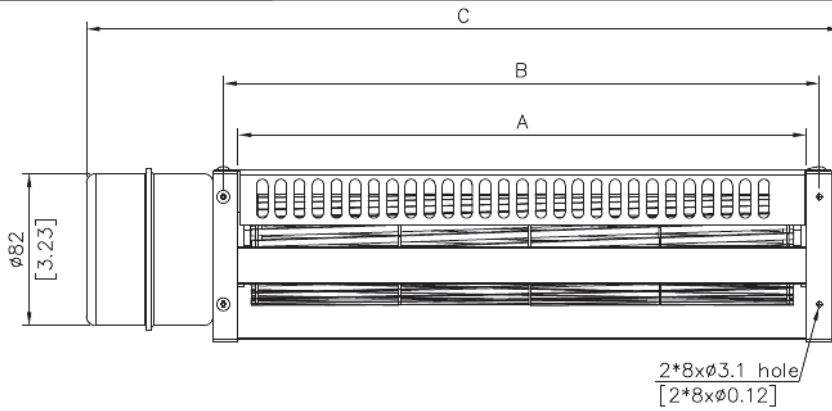


HOUSING: Metal/Aluminum
IMPELLER: Aluminum, Ø60mm
BEARING: Ball
OPERATING TEMPERATURE: 0°C to + 45°C
DIELECTRIC STRENGTH: 5mA Max. at 500 VAC for 1 minute
INSULATION RESISTANCE: 10M Ω min. @500 VDC
MOTOR TYPE: DC Brushless Motor
ROHS COMPLIANCE: Yes
IP LEVEL: IP21 (Special IP Rating On Request)

※FAN IS FOR HORIZONTAL USE ONLY※

60 mm

DIMENSION



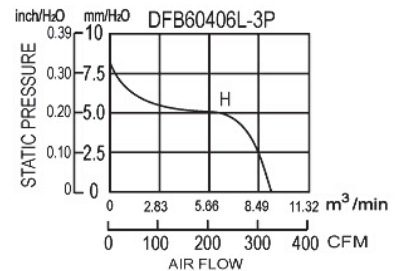
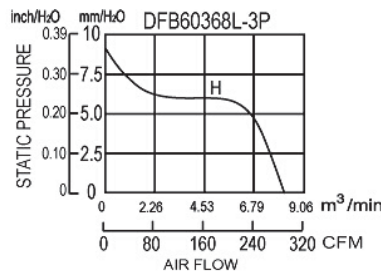
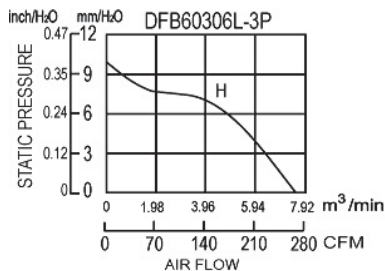
UNIT:mm[inch]

MODEL NO.	DIMENSION(mm)			WEIGHT (kg)
	A	B	C	
DFB60306V24HBL-3P	306	321	406	1.4
DFB60306V48HBL-3P	306	321	406	1.4
DFB60368V48HBL-3P	368	383	469	1.6
DFB60406V48HBL-3P	406	444	530	1.8

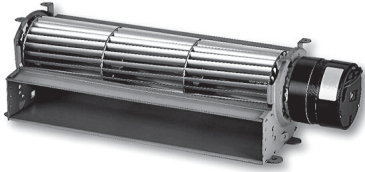
SPECIFICATION

MODEL NO.	RATED VOLTAGE (V)	RATED CURRENT (A)	INPUT POWER (W)	SPEED (RPM)	MAX. AIR PRESSURE		MAX. AIR FLOW		NOISE dB(A) @1M
					inch/H2O	mm/H2O	CFM	m ³ /min	
DFB60306V24HBL-3P	24	2.3	55.20	3500	0.394	10.0	265.02	7.5	62
DFB60306V48HBL-3P	48	1.0	48.00	3500	0.394	10.0	265.02	7.5	62
DFB60368V48HBL-3P	48	1.1	52.80	3300	0.339	8.6	289.75	8.2	60
DFB60406V48HBL-3P	48	1.1	52.80	3150	0.319	8.1	328.62	9.3	60

AIR PERFORMANCE



DFG 60-3P $\varnothing 60\text{mm}(\varnothing 2.36\text{'})$

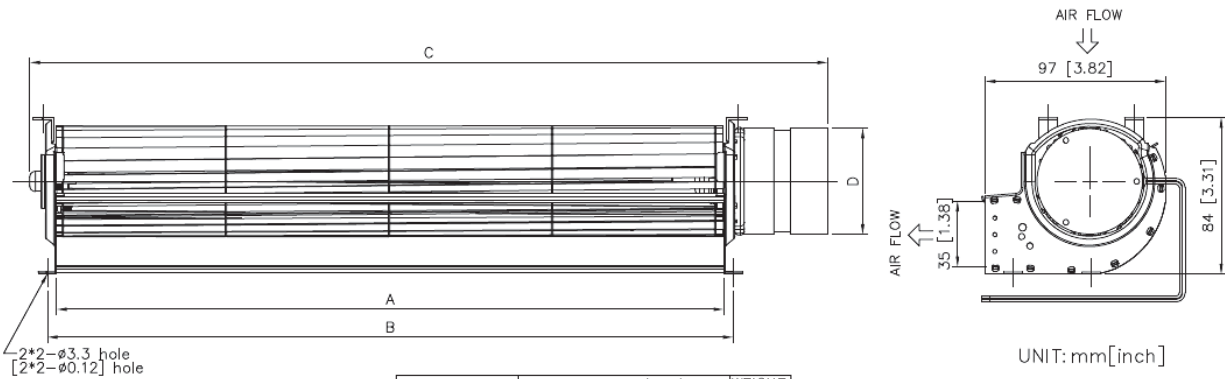


HOUSING: Metal/Aluminum
 IMPELLER: Aluminum, $\varnothing 60\text{mm}$
 BEARING: Ball
 OPERATING TEMPERATURE: 0°C to $+45^{\circ}\text{C}$
 DIELECTRIC STRENGTH: 5mA Max. at 500 VAC for 1 minute
 INSULATION RESISTANCE: $10\text{M } \Omega$ min. @500 VDC
 MOTOR TYPE: DC Brushless Motor
 ROHS COMPLIANCE: Yes
 IP LEVEL: IP21 (Special IP Rating On Request)

※FAN IS FOR HORIZONTAL USE ONLY※

60 mm

DIMENSION

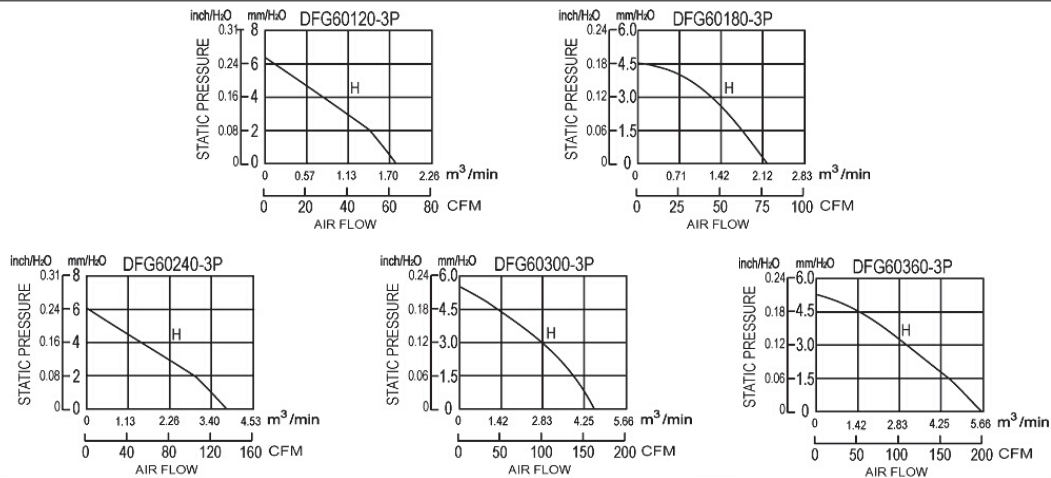


MODEL NO.	DIMENSION(mm)				WEIGHT (g)
	A	B	C	D	
DFG60120-3P	120	130	170	38	400
DFG60180-3P	180	190	230	38	570
DFG60240-3P	240	250	310	56	790
DFG60300-3P	300	310	370	56	860
DFG60360-3P	360	370	430	56	950

SPECIFICATION

MODEL NO.	RATED VOLTAGE (V)	RATED CURRENT (A)	INPUT POWER (W)	SPEED (RPM)	MAX. AIR PRESSURE		MAX. AIR FLOW		NOISE dB(A) @1M
					inch/H ₂ O	mm/H ₂ O	CFM	m ³ /min	
DFG60120V24HB-3P	24	0.24	5.76	2000	0.252	6.4	63.60	1.8	49
DFG60180V24HB-3P	24	0.28	6.72	1600	0.181	4.6	77.74	2.2	44
DFG60240V24HB-3P	24	0.51	12.24	2000	0.24	6.1	137.81	3.9	49
DFG60300V24HB-3P	24	0.59	14.16	1850	0.217	5.5	166.08	4.7	47
DFG60360V24HB-3P	24	0.66	15.84	1750	0.209	5.3	197.88	5.6	46

AIR PERFORMANCE



Please scan the



for our latest information or visit www.activa.com.tw

DFH 60-3P

Ø60mm(Ø2.36")

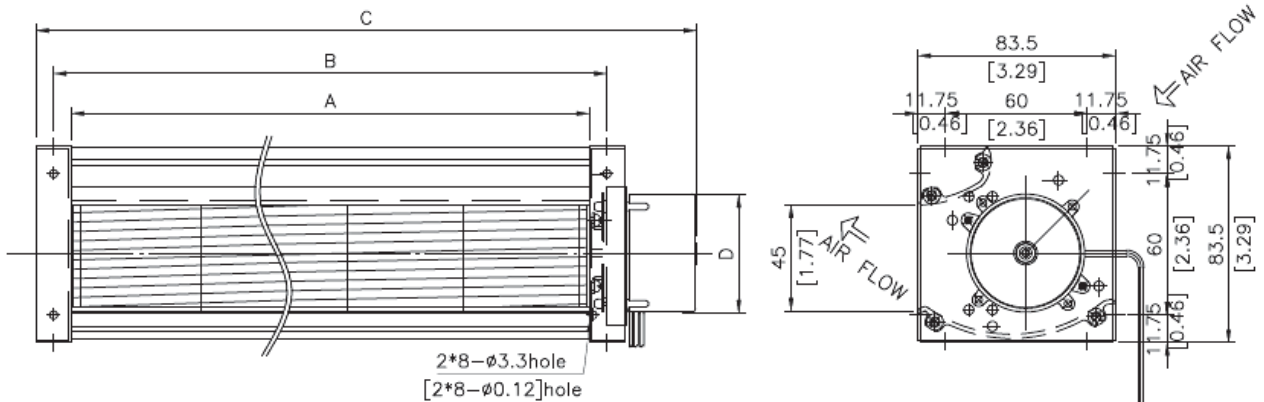


HOUSING: Metal/Aluminum
 IMPELLER: Aluminum, Ø60mm
 BEARING: Ball
 OPERATING TEMPERATURE: 0°C to + 45°C
 DIELECTRIC STRENGTH: 5mA Max. at 500 VAC for 1 minute
 INSULATION RESISTANCE: 10M Ω min. @500 VDC
 MOTOR TYPE: DC Brushless Motor
 ROHS COMPLIANCE: Yes
 IP LEVEL: IP21 (Special IP Rating On Request)

※FAN IS FOR HORIZONTAL USE ONLY※

60 mm

DIMENSION



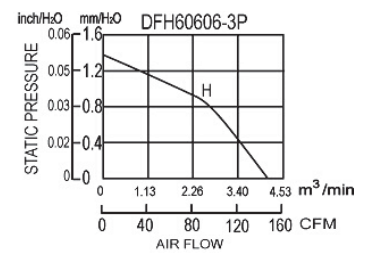
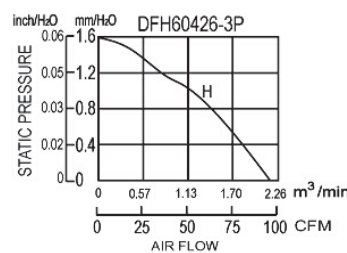
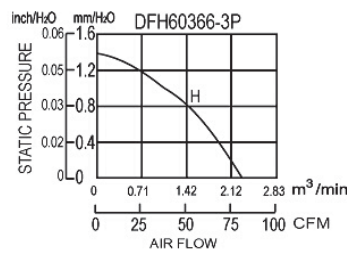
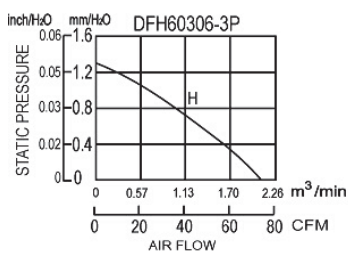
MODEL NO.	DIMENSION(mm)				WEIGHT (g)
	A	B	C	D	
DFH60306-3P	306	321	351	38	680
DFH60366-3P	366	381	411	38	740
DFH60426-3P	426	441	471	38	810
DFH60606-3P	606	621	664	56	1260

UNIT:mm[inch]

SPECIFICATION

MODEL NO.	RATED VOLTAGE (V)	RATED CURRENT (A)	INPUT POWER (W)	SPEED (RPM)	MAX. AIR PRESSURE		MAX. AIR FLOW		NOISE dB(A) @1M
					inch/H ₂ O	mm/H ₂ O	CFM	m ³ /min	
DFH60306V24HB-3P	24	0.26	6.24	1900	0.051	1.3	74.20	2.1	35
DFH60366V24HB-3P	24	0.28	6.72	1700	0.055	1.4	81.27	2.3	34
DFH60426V24HB-3P	24	0.29	6.96	1600	0.063	1.6	95.41	2.7	33
DFH60606V24HB-3P	24	0.57	13.68	1900	0.055	1.4	148.41	4.2	36

AIR PERFORMANCE



Cross Flow Fans



DFM 60-3P $\varnothing 60\text{mm}(\varnothing 2.36\text{'})$

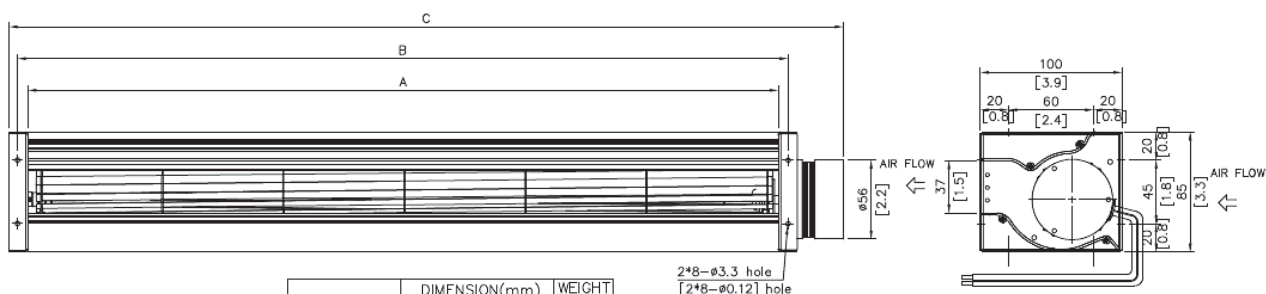


HOUSING	Metal/Aluminum
IMPELLER	Aluminum, $\varnothing 60\text{mm}$
BEARING	Ball
OPERATING TEMPERATURE	0°C to + 45°C
DIELECTRIC STRENGTH	5mA Max. at 500 VAC for 1 minute
INSULATION RESISTANCE	10M Ω min. @500 VDC
MOTOR TYPE	DC Brushless Motor
ROHS COMPLIANCE	Yes
IP LEVEL	IP21 (Special IP Rating On Request)

※FAN IS FOR HORIZONTAL USE ONLY※

60 mm

DIMENSION



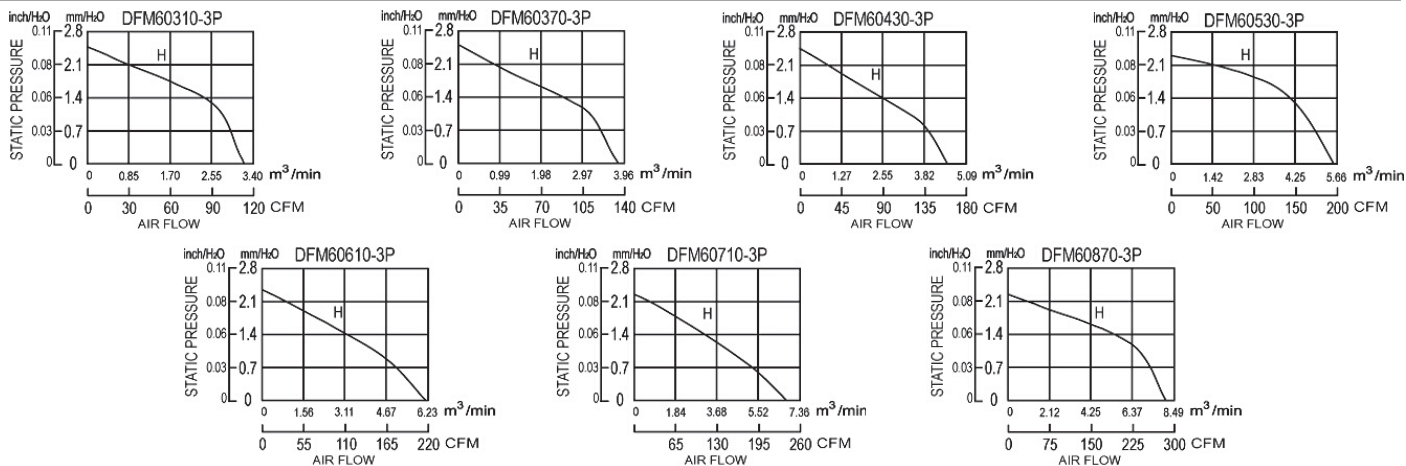
MODEL NO.	DIMENSION(mm)			WEIGHT (g)
	A	B	C	
DFM60310-3P	310	325	370	950
DFM60370-3P	370	385	430	1000
DFM60430-3P	430	445	490	1100
DFM60530-3P	530	545	590	1250
DFM60610-3P	610	625	670	1350
DFM60710-3P	710	725	770	1450
DFM60870-3P	870	885	953	1900

UNIT: mm[inch]

SPECIFICATION

MODEL NO.	RATED VOLTAGE (V)	RATED CURRENT (A)	INPUT POWER (W)	SPEED (RPM)	MAX. AIR PRESSURE		MAX. AIR FLOW		NOISE dB(A) @1M
					inch/H2O	mm/H2O	CFM	m ³ /min	
DFM60310V24HB-3P	24	0.53	12.72	2650	0.099	2.5	116.6	3.3	45
DFM60370V24HB-3P	24	0.58	13.92	2600	0.099	2.5	137.8	3.9	45
DFM60430V24HB-3P	24	0.63	15.12	2550	0.095	2.4	162.5	4.6	44
DFM60530V24HB-3P	24	0.69	16.56	2450	0.091	2.3	197.9	5.6	43
DFM60610V24HB-3P	24	0.73	17.52	2400	0.091	2.3	219.1	6.2	43
DFM60710V24HB-3P	24	0.79	18.96	2350	0.087	2.2	243.8	6.9	42
DFM60870V24HB-3P	24	0.86	20.64	2350	0.087	2.2	289.8	8.2	42

AIR PERFORMANCE



Cross Flow Fans

Please scan the



for our latest information or visit www.activa.com.tw

DF 65-3P $\varnothing 65\text{mm}(\varnothing 2.56")$

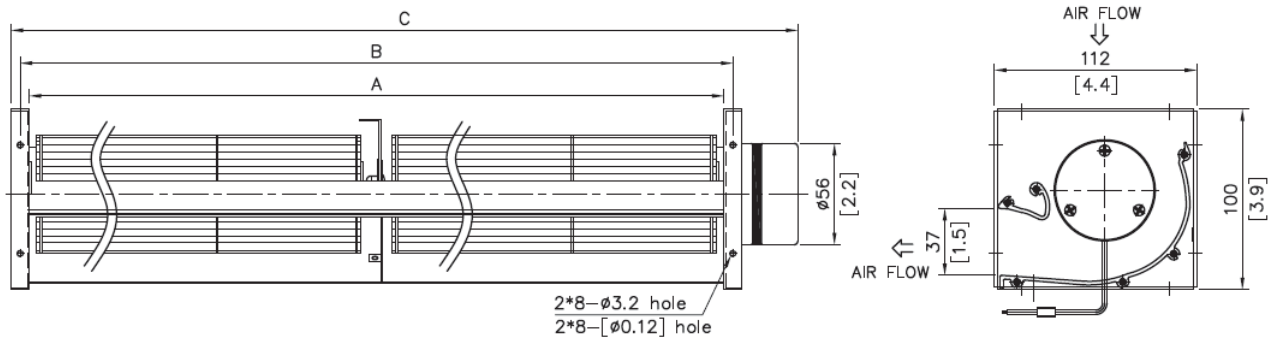


HOUSING Metal/Aluminum
 IMPELLER Aluminum, $\varnothing 65\text{mm}$
 BEARING Ball
 OPERATING TEMPERATURE 0°C to $+45^{\circ}\text{C}$
 DIELECTRIC STRENGTH 5mA Max. at 500 VAC for 1 minute
 INSULATION RESISTANCE $10\text{M } \Omega$ min. @500 VDC
 MOTOR TYPE DC Brushless Motor
 ROHS COMPLIANCE Yes
 IP LEVEL IP21 (Special IP Rating On Request)

※FAN IS FOR HORIZONTAL USE ONLY※

65 mm

DIMENSION



MODEL NO.	DIMENSION(mm)			WEIGHT (kg)
	A	B	C	
DF65610-3P	610	622	692	1.45
DF65750-3P	750	762	832	1.65
DF65870-3P	870	882	952	1.80

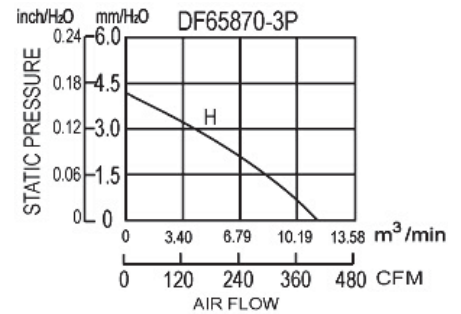
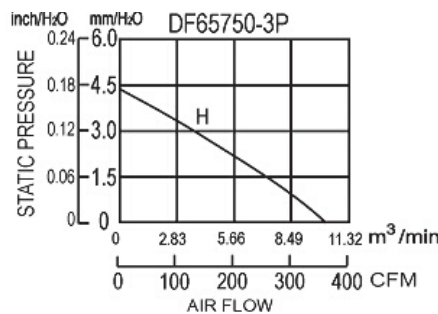
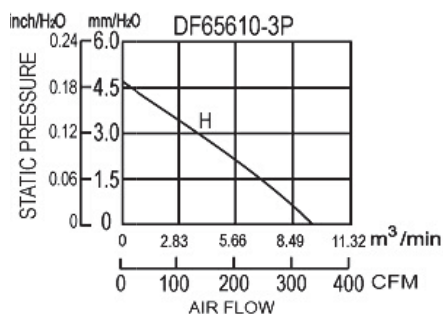
UNIT: mm[inch]

SPECIFICATION

MODEL NO.	RATED VOLTAGE (V)	RATED CURRENT (A)	INPUT POWER (W)	SPEED (RPM)	MAX. AIR PRESSURE		MAX. AIR FLOW		NOISE dB(A) @1M
					inch/H ₂ O	mm/H ₂ O	CFM	m ³ /min	
DF65315V12HB-3P	12	1.27	15.24	1700	0.17	4.4	187.23	5.3	49
DF65315V24HB-3P	24	0.60	14.40	1700	0.17	4.4	187.23	5.3	49
DF65375V12HB-3P	12	1.44	17.28	1600	0.17	4.2	219.08	6.2	48
DF65375V24HB-3P	24	0.70	16.80	1600	0.17	4.2	219.08	6.2	48
DF65435V12HB-3P	12	1.49	17.88	1550	0.16	4.0	229.68	6.5	47
DF65435V24HB-3P	24	0.71	17.04	1550	0.16	4.0	229.68	6.5	47
DF65520V24HB-3P	24	1.20	28.80	1850	0.21	5.3	342.76	9.7	54
DF65620V24HB-3P	24	1.32	31.68	1700	0.19	4.9	395.76	11.2	50
⊙DF65720V24HB-3P	24	1.38	33.12	1650	0.19	4.8	445.23	12.6	50
⊙DF65880V24HB-3P	24	1.45	34.80	1600	0.18	4.6	477.03	13.5	48

⊙ : Double impeller

AIR PERFORMANCE



DFG 65-3P $\varnothing 65\text{mm}(\varnothing 2.56")$

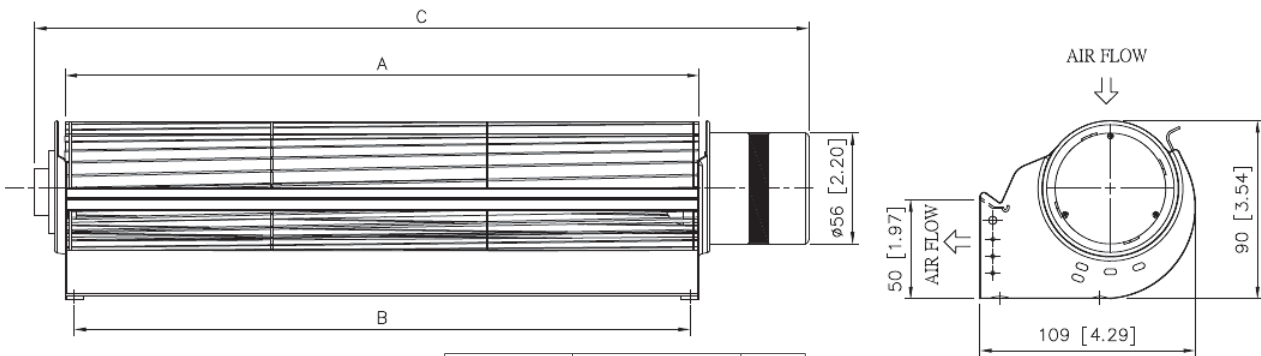


HOUSING: Metal/Aluminum
 IMPELLER: Aluminum, $\varnothing 65\text{mm}$
 BEARING: Ball
 OPERATING TEMPERATURE: 0°C to $+45^{\circ}\text{C}$
 DIELECTRIC STRENGTH: 5mA Max. at 500 VAC for 1 minute
 INSULATION RESISTANCE: $10\text{M } \Omega$ min. @500 VDC
 MOTOR TYPE: DC Brushless Motor
 ROHS COMPLIANCE: Yes
 IP LEVEL: IP21 (Special IP Rating On Request)

※FAN IS FOR HORIZONTAL USE ONLY※

65 mm

DIMENSION



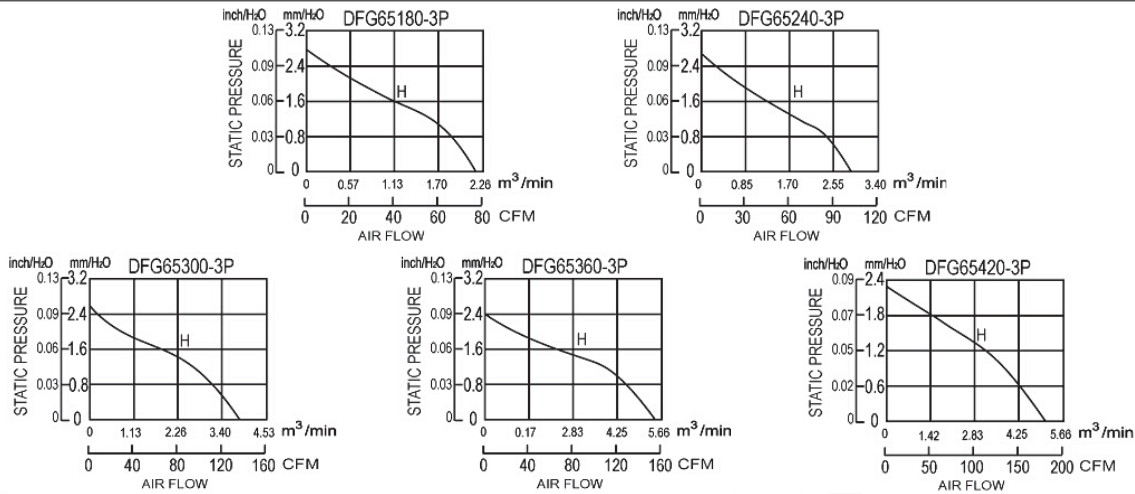
MODEL NO.	DIMENSION(mm)			WEIGHT (g)
	A	B	C	
DFG65180-3P	180	172	250	740
DFG65240-3P	240	232	310	810
DFG65300-3P	300	292	370	930
DFG65360-3P	360	352	430	1050
DFG65420-3P	420	412	490	1110

UNIT:mm[inch]

SPECIFICATION

MODEL NO.	RATED VOLTAGE (V)	RATED CURRENT (A)	INPUT POWER (W)	SPEED (RPM)	MAX. AIR PRESSURE		MAX. AIR FLOW		NOISE dB(A) @1M
					inch/H ₂ O	mm/H ₂ O	CFM	m ³ /min	
DFG65180V24HB-3P	24	0.20	4.80	1400	0.110	2.8	77.74	2.2	34
DFG65240V24HB-3P	24	0.23	5.52	1300	0.106	2.7	102.47	2.9	35
DFG65300V24HB-3P	24	0.27	6.48	1250	0.102	2.6	134.28	3.8	36
DFG65360V24HB-3P	24	0.29	6.96	1200	0.094	2.4	155.48	4.4	38
DFG65420V24HB-3P	24	0.32	7.68	1150	0.091	2.3	180.21	5.1	37

AIR PERFORMANCE



Please scan the



for our latest information or visit www.activa.com.tw

DF81-3P $\varnothing 81\text{mm}(\varnothing 3.19\text{'})$

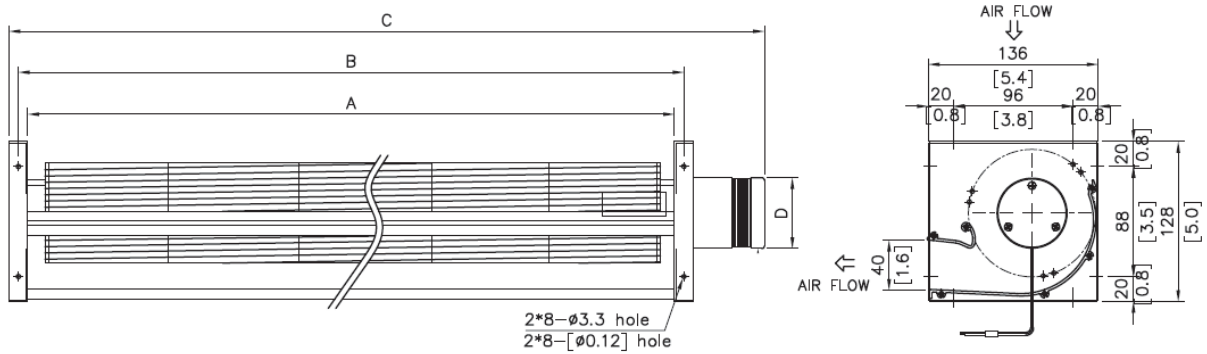


HOUSING: Metal/Aluminum
 IMPELLER: Aluminum, $\varnothing 81\text{mm}$
 BEARING: Ball
 OPERATING TEMPERATURE: 0°C to $+45^{\circ}\text{C}$
 DIELECTRIC STRENGTH: 5mA Max. at 500 VAC for 1 minute
 INSULATION RESISTANCE: $10\text{M } \Omega$ min. @500 VDC
 MOTOR TYPE: DC Brushless Motor
 ROHS COMPLIANCE: Yes
 IP LEVEL: IP21 (Special IP Rating On Request)

※FAN IS FOR HORIZONTAL USE ONLY※

81 mm

DIMENSION



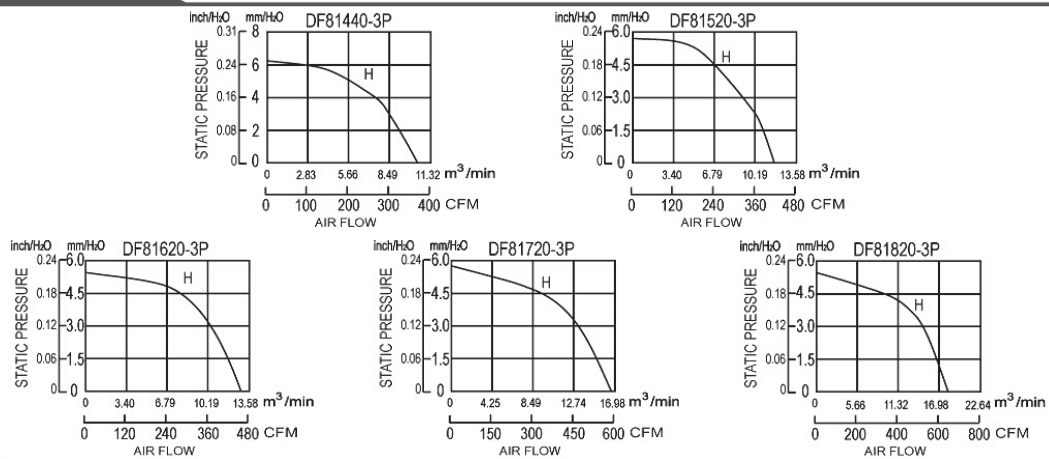
MODEL NO.	DIMENSION(mm)				WEIGHT (kg)
	A	B	C	D	
DF81440-3P	440	445	527	56	1.90
DF81520-3P	520	535	607	56	2.05
DF81620-3P	620	635	707	56	2.25
DF81720-3P	720	735	805	82	2.90
DF81820-3P	820	835	905	82	3.05

UNIT:mm[inch]

SPECIFICATION

MODEL NO.	RATED VOLTAGE (V)	RATED CURRENT (A)	INPUT POWER (W)	SPEED (RPM)	MAX. AIR PRESSURE		MAX. AIR FLOW		NOISE dB(A) @1M
					inch/H ₂ O	mm/H ₂ O	CFM	m ³ /min	
DF81440V24HB-3P	24	1.70	40.80	1700	0.24	6.0	378.09	10.7	57
DF81520V24HB-3P	24	1.83	43.92	1650	0.23	5.9	424.03	12.0	57
DF81620V24HB-3P	24	2.00	48.00	1550	0.22	5.6	480.57	13.6	56
DF81720V24HB-3P	24	2.27	54.48	1550	0.22	5.6	590.11	16.7	56
DF81820V24HB-3P	24	2.35	56.40	1500	0.22	5.5	611.31	17.3	55

AIR PERFORMANCE



DFH 81-3P

Ø81mm(Ø3.12")

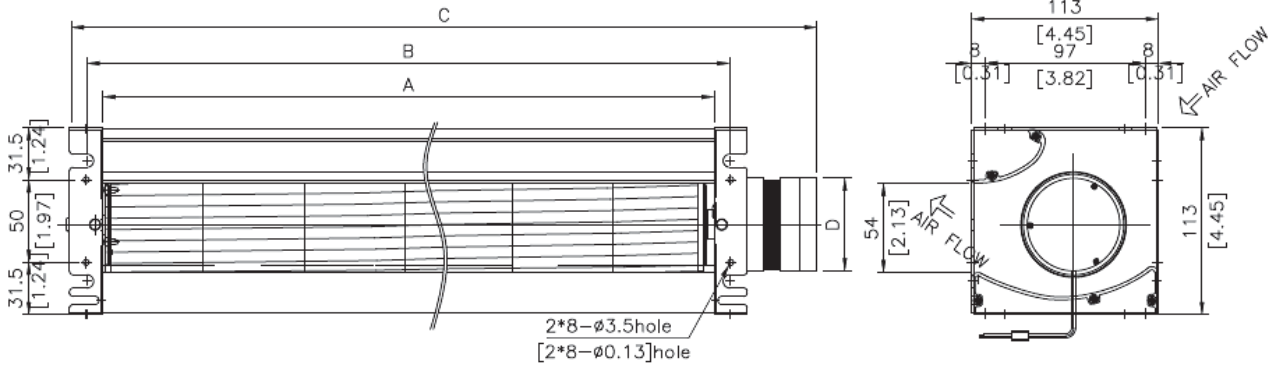


HOUSING	Metal/Aluminum
IMPELLER	Aluminum, Ø81mm
BEARING	Ball
OPERATING TEMPERATURE	0°C to + 45°C
DIELECTRIC STRENGTH	5mA Max. at 500 VAC for 1 minute
INSULATION RESISTANCE	10M Ω min. @500 VDC
MOTOR TYPE	DC Brushless Motor
ROHS COMPLIANCE	Yes
IP LEVEL	IP21 (Special IP Rating On Request)

※FAN IS FOR HORIZONTAL USE ONLY※

81 mm

DIMENSION



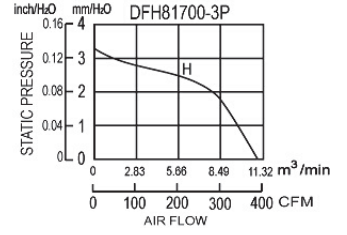
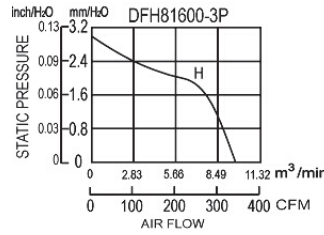
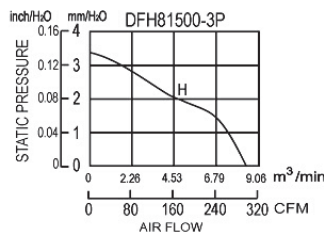
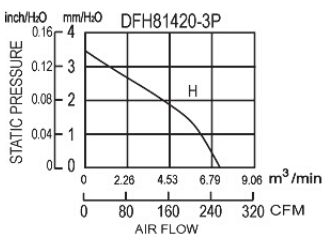
MODEL NO.	DIMENSION(mm)				WEIGHT (Kg)
	A	B	C	D	
DFH81420-3P	420	440	507	56	1.65
DFH81500-3P	500	520	587	56	1.80
DFH81600-3P	600	620	687	56	1.95
DFH81700-3P	700	720	790	82	2.60

UNIT:mm[inch]

SPECIFICATION

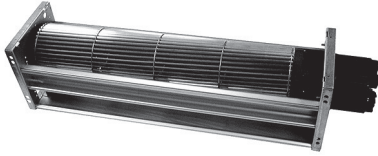
MODEL NO.	RATED VOLTAGE (V)	RATED CURRENT (A)	INPUT POWER (W)	SPEED (RPM)	MAX. AIR PRESSURE		MAX. AIR FLOW		NOISE dB(A) @1M
					inch/H ₂ O	mm/H ₂ O	CFM	m ³ /min	
DFH81420V24HB-3P	24	1.55	37.20	1850	0.138	3.5	254.42	7.2	51
DFH81500V24HB-3P	24	1.75	42.00	1700	0.134	3.4	296.82	8.4	48
DFH81600V24HB-3P	24	1.85	44.40	1600	0.12	3	342.76	9.7	46
DFH81700V24HB-3P	24	2.1	50.40	1700	0.13	3.3	388.69	11	48

AIR PERFORMANCE



DF 90

Ø90mm(Ø3.55")

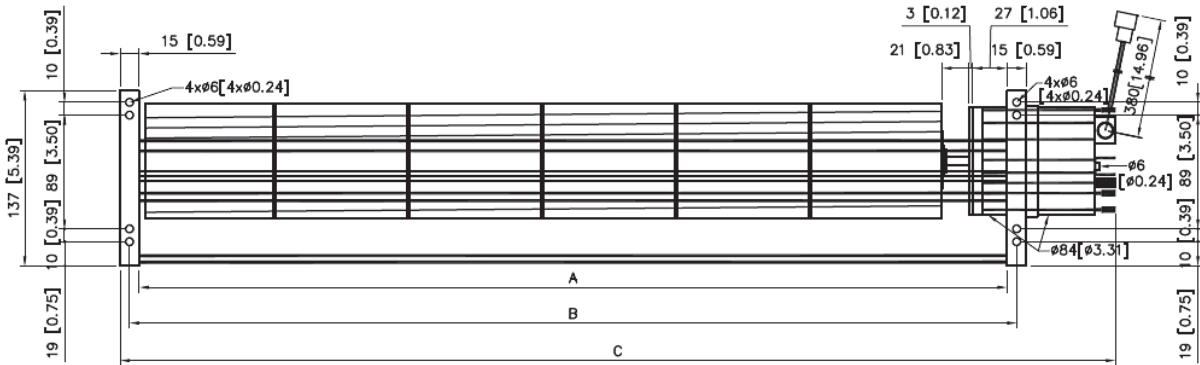


HOUSING: Metal/Aluminum
 IMPELLER: Aluminum, Ø90mm
 BEARING: Ball
 OPERATING TEMPERATURE: 0°C to + 45°C
 DIELECTRIC STRENGTH: 5mA Max. at 500 VAC for 1 minute
 INSULATION RESISTANCE: 10M Ω min. @500 VDC
 MOTOR TYPE: DC Brushless Motor
 ROHS COMPLIANCE: Yes
 IP LEVEL: IP21 (Special IP Rating On Request)

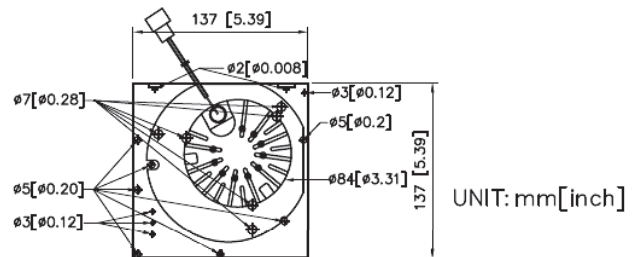
※FAN IS FOR HORIZONTAL USE ONLY※

90 mm

DIMENSION



MODEL NO.	DIMENSION(mm)			WEIGHT (kg)
	A	B	C	
DF90930	930	960	1043	4.0
DF90680	680	710	793	4.0

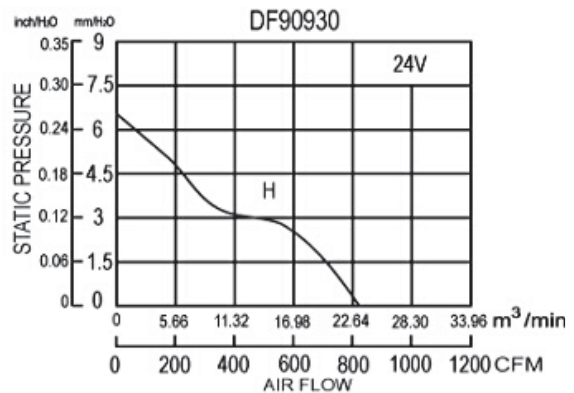
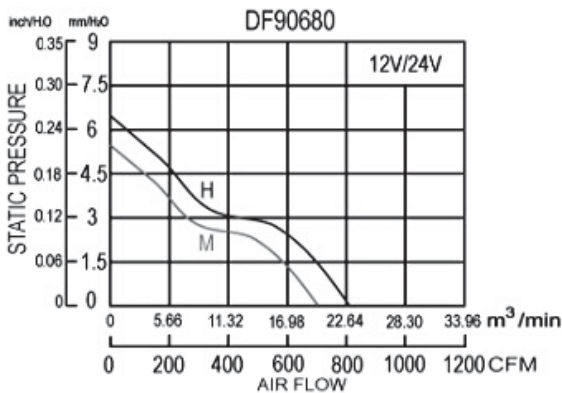


UNIT: mm[inch]

SPECIFICATION

MODEL NO.	RATED VOLTAGE (V)	RATED CURRENT (A)	INPUT POWER (W)	SPEED (RPM)	MAX. AIR PRESSURE		MAX. AIR FLOW		NOISE dB(A) @1M
					inch/H ₂ O	mm/H ₂ O	CFM	m ³ /min	
DF90680V12H	12	6.5	78	1910	0.25	6.3	812	23	68
DF90680V24M	24	3	72	1660	0.22	5.5	706	20	60
DF90930V24H	24	6	144	1960	0.26	6.5	833	23.6	68

AIR PERFORMANCE



AAC

115D-CR

Ø115X2000mm(Ø4.52"x78.7")

CE

APPLICABLE FIELDS

Especially for all factory with cold and warm air facilities, Electronics factory, Textile Industry, Laboratory, Frozen factory, Chemical factory, Paint Factory, Packinghouse, Circulating & Exchanging Fresh air in sewerage, Field storage, etc.



HOUSE AND COTTAGE

House, Apartment building, Cottage. etc.

PUBLIC AND ENTERTAINMENT AREA

Big Supermarket, Shop, Boutique, Restaurant, Office, School, Waiting Room, Hotel, Hospital, Library, Museum, Meeting Room, Clinic, Department store, Bank, Computer room, Bus station, Food court, etc.

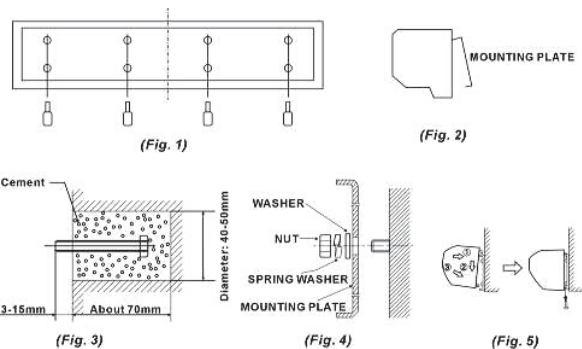
115_{mm}

SPECIFICATION

MODEL NO.	RATED VOLTAGE (V)	FREQUENCY (Hz)	RATED CURRENT (A)	INPUT POWER (W)	SPEED	MAX. AIR FLOW CFM	m3/min	NOISE dB(A) @1M
AAC1152000V2D-CR	230	50	2.4	440/360	High	3651	103	65

INSTALLATION

1. Unscrew the mounting plate and take it off.(Fig.1、 Fig.2)
2. Drill a hole as shown in Fig 1. Then put into the bolt and fix it with cement.(Fig.3)
3. Hanging on the mounting plate and ensure fix it.(Fig.4)
4. Installing the machine onto the mounting plate and ensure the safety, than fix it tighten with screws.(Fig.5)
5. Please visit our official website for more installation detail.



AAC

125D-CR

Ø125X900~1500mm
(Ø4.92"x35.43~59.06")



APPLICABLE FIELDS

Especially for all factory with cold and warm air facilities, Electronics factory, Textile Industry, Laboratory, Frozen factory, Chemical factory, Paint Factory, Packinghouse, Circulating & Exchanging Fresh air in sewerage, Field storage, etc.

HOUSE AND COTTAGE

House, Apartment building, Cottage. etc.

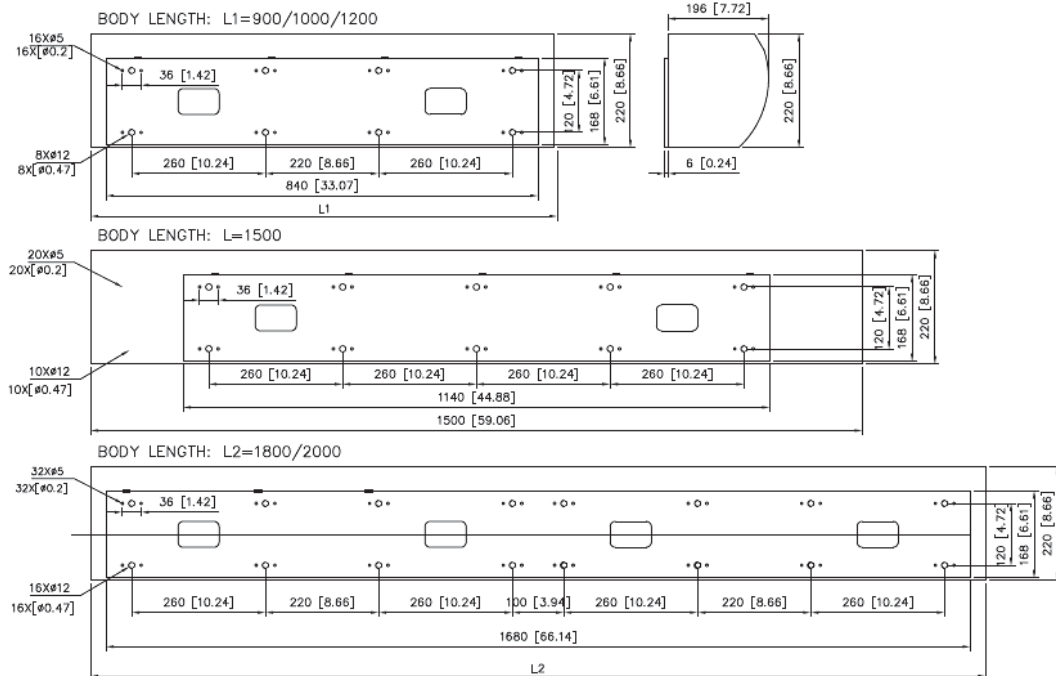
PUBLIC AND ENTERTAINMENT AREA

Big Supermarket, Shop, Boutique, Restaurant, Office, School, Waiting Room, Hotel, Hospital, Library, Museum, Meeting Room, Clinic, Department store, Bank, Computer room, Bus station, Food court, etc.



125 mm

DIMENSION



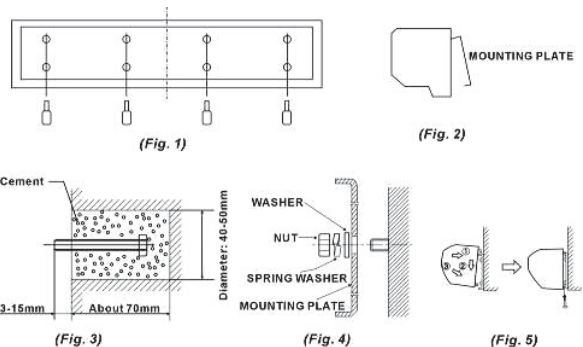
UNIT:mm[inch]

SPECIFICATION

MODEL NO.	RATED VOLTAGE (V)	FREQUENCY (Hz)	RATED CURRENT (A)	INPUT POWER (W)	SPEED (RPM)	Air Speed (m/s)	MAX. AIR FLOW CFM	m3/min	NOISE dB(A) @1M
AAC1251800V2D-CR	230	50/60	3.6	780/730	HI/LOW	20	2591	73.33	64
AAC1251500V2D-CR	230	50/60	3	660/615	HI/LOW	20	2179	61.67	61
AAC1251200V2D-CR	230	50/60	2.3	510/480	HI/LOW	20	1767	50.01	58
AAC125900V2D-CR	230	50/60	1.85	405/380	HI/LOW	20	1296	36.68	56

AIR PERFORMANCE

1. Unscrew the mounting plate and take it off.(Fig.1、 Fig.2)
2. Drill a hole as shown in Fig 1. Then put into the bolt and fix it with cement.(Fig.3)
3. Hanging on the mounting plate and ensure fix it.(Fig.4)
4. Installing the machine onto the mounting plate and ensure the safety, than fix it tighten with screws.(Fig.5)
5. Please visit our official website for more installation detail.



AAC 110S-HC



Ø110X700~1200mm
(Ø4.33"x27.56"~47.24")

APPLICABLE FIELDS

Especially for all factory with cold and warm air facilities, Electronics factory, Textile Industry, Laboratory, Frozen factory, Chemical factory, Paint Factory, Packinghouse, Circulating & Exchanging Fresh air in sewerage, Field storage, etc.



HOUSE AND COTTAGE

House, Apartment building, Cottage. etc.

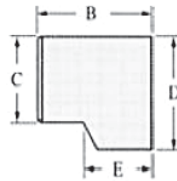
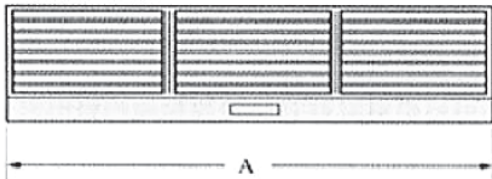
PUBLIC AND ENTERTAINMENT AREA

Big Supermarket, Shop, Boutique, Restaurant, Office, School, Waiting Room, Hotel, Hospital, Library, Museum, Meeting Room, Clinic, Department store, Bank, Computer room, Bus station, Food court, etc.

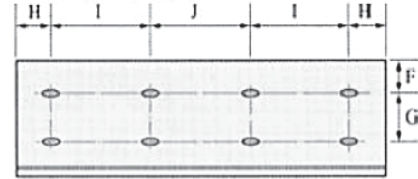
110mm

DIMENSION

Front view



Rear view



MODEL NO.	A	B	C	D	E	F	G	H	I	J
AAC110700DVS-HC	700	208	173	205	95	20	110	25	205	205
AAC110900DVS-HC	900	208	173	205	95	20	110	25	270	270
AAC1101200DVS-HC	1200	208	173	205	95	20	110	25	270	270

SPECIFICATION

MODEL NO.	RATED VOLTAGE (V)	FREQUENCY (Hz)	RATED CURRENT (A)	INPUT POWER (W)	SPEED	MAX. AIR FLOW CFM	m3/min	NOISE dB(A) @1M
AAC110700DVS-HC	110/220	60	1.28/0.64	110	10M/S	815	23	55
AAC110900DVS-HC	110/220	60	1.32/0.66	130	10M/S	992	28	55
AAC1101200DVS-HC	110/220	60	1.50/0.75	150	9.6M/S	1276	36	55

INSTALLATION

1. Unscrew the mounting plate and take it off.(Fig.1、 Fig.2)
2. Drill a hole as shown in Fig 1. Then put into the bolt and fix it with cement.(Fig.3)
3. Hanging on the mounting plate and ensure fix it.(Fig.4)
4. Installing the machine onto the mounting plate and ensure the safety, than fix it tighten with screws.(Fig.5)
5. Please visit our official website for more installation detail.

